

Rack Installation Guide

Guide d'installation du rack

Rack-Installationsanleitung

ラック取り付けガイド

Guía de instalación del rack



Rack Installation Guide

Notes, Notices, and Cautions



NOTE: A NOTE indicates important information that helps you make better use of your computer.



NOTICE: A NOTICE indicates either potential damage to hardware or loss of data and tells you how to avoid the problem.



CAUTION: A CAUTION indicates a potential for property damage, personal injury, or death.

Information in this document is subject to change without notice.

© 2007 Dell Inc. All rights reserved.

Reproduction in any manner whatsoever without the written permission of Dell Inc. is strictly forbidden.

Trademarks used in this text: *Dell*, the *DELL* logo, *RapidRails*, and *VersaRails* are trademarks of Dell Inc.

Other trademarks and trade names may be used in this document to refer to either the entities claiming the marks and names or their products. Dell Inc. disclaims any proprietary interest in trademarks and trade names other than its own.

Contents

Safety Instructions	5
SAFETY: Rack Mounting of Systems	5
General Installation Instructions	6
Before You Begin	7
Important Safety Information	7
Rack Requirements for VersaRails	7
Rack Stabilizer Feet	8
Recommended Tools and Supplies	8
Rack Kit Contents	8
Installation Tasks	9
Removing the Rack Doors	10
Marking the Rack	10
Configuring the Sliding Rail Assemblies	12
Installing the Mounting Rails in the Rack	14
Installing RapidRails Mounting Rails	14
Installing the VersaRails Mounting Rails	15
Installing the System in the Rack	17
Removing the System From the Rack	19
Installing the Cable-Management Arm	19
Routing Cables	21
Attaching the Cable-Management Arm Ramp Assembly	22
Replacing the Rack Doors	24


Safety Instructions

Use the following safety guidelines to ensure your own personal safety and to help protect your system and working environment from potential damage. For complete safety and regulatory information, see the *Product Information Guide* that shipped with your system. Warranty information might be included in this document or as a separate document.

SAFETY: Rack Mounting of Systems

Observe the following precautions for rack stability and safety. Also refer to the rack installation documentation accompanying the system and the rack for specific caution statements and procedures.

Systems are considered to be components in a rack. Thus, "component" refers to any system as well as to various peripherals or supporting hardware.

 **CAUTION: Before installing systems in a rack, install front and side stabilizers on stand-alone racks or the front stabilizer on racks joined to other racks. Failure to install stabilizers accordingly before installing systems in a rack could cause the rack to tip over, potentially resulting in bodily injury under certain circumstances. Therefore, always install the stabilizer(s) before installing components in the rack.**

After installing system/components in a rack, never pull more than one component out of the rack on its slide assemblies at one time. The weight of more than one extended component could cause the rack to tip over and may result in serious injury.



NOTE: Your system is safety-certified as a free-standing unit and as a component for use in a Dell rack cabinet using the customer rack kit. The installation of your system and rack kit in any other rack cabinet has not been approved by any safety agencies. It is your responsibility to ensure that the final combination of system and rack complies with all applicable safety standards and local electric code requirements. Dell disclaims all liability and warranties in connection with such combinations.

- System rack kits are intended to be installed in a rack by trained service technicians. If you install the kit in any other rack, be sure that the rack meets the specifications of a Dell rack.



CAUTION: Do not move racks by yourself. Due to the height and weight of the rack, a minimum of two people should accomplish this task.

- Before working on the rack, make sure that the stabilizers are secured to the rack, extended to the floor, and that the full weight of the rack rests on the floor. Install front and side stabilizers on a single rack or front stabilizers for joined multiple racks before working on the rack.
- Always load the rack from the bottom up, and load the heaviest item in the rack first.
- Make sure that the rack is level and stable before extending a component from the rack.
- Use caution when pressing the component rail release latches and sliding a component into or out of a rack; the slide rails can pinch your fingers.
- Do not overload the AC supply branch circuit that provides power to the rack. The total rack load should not exceed 80 percent of the branch circuit rating.
- Ensure that proper airflow is provided to components in the rack.
- Do not step on or stand on any component when servicing other components in a rack.

General Installation Instructions

This installation guide provides instructions for trained service technicians installing one or more systems in a rack cabinet. The RapidRails™ configuration can be installed without tools in manufacturer's rack cabinets that have square holes; the VersaRails™ configuration can be installed in most industry-standard rack cabinets that have square or round holes. One rack kit is required for each system to be installed in the rack cabinet.

Before You Begin

Before you begin installing your system in the rack, carefully read "Safety Instructions" on page 5, as well as the safety instructions found in your *Product Information Guide* for additional information.



CAUTION: When installing multiple systems in a rack, complete all of the procedures for the current system before attempting to install the next system.



CAUTION: Rack cabinets can be extremely heavy and move easily on their casters. They do not have brakes. Use extreme caution while moving the rack cabinet. Retract the leveling feet when relocating the rack cabinet. Avoid long or steep inclines or ramps where loss of cabinet control may occur. Extend the leveling feet for support and to prevent the cabinet from rolling.



NOTE: For instructions on installing the system itself, see "Installing the System in the Rack" on page 17.

Important Safety Information

Observe the safety precautions in the following subsections when installing your system in the rack.



CAUTION: You must strictly follow the procedures in this document to protect yourself as well as others who may be involved. Your system may be very large and heavy and proper preparation and planning are important to prevent injury to yourself and to others. This precaution becomes increasingly important when systems are installed high up in the rack.




CAUTION: Do not install rack kit components designed for another system. Use only the rack kit for your system. Using the rack kit for another system may result in damage to the system and personal injury to yourself and to others.

Rack Requirements for VersaRails



NOTICE: The VersaRails rack kit is intended to be installed by trained service technicians in a rack that meets the specifications of American National Standards Institute (ANSI)/Electronic Industries Association (EIA) standard ANSI/EIA-310-D-92, International Electrotechnical Commission (IEC) 297, and Deutsche Industrie Norm (DIN) 41494. One rack kit is required for each system that is installed in a rack.

Rack Stabilizer Feet

 **CAUTION:** Before installing systems in a rack, install front and side stabilizers on stand-alone racks or the front stabilizer on racks joined to other racks. Failure to install stabilizers accordingly before installing systems in a rack could cause the rack to tip over, potentially resulting in bodily injury under certain circumstances. Therefore, always install the stabilizer(s) before installing components in the rack.

The stabilizer feet help prevent the rack from tipping over. See the documentation provided with the rack cabinet for instructions on installing and anchoring the stabilizer feet.


Recommended Tools and Supplies

You may need the following items to install the system in a four-post rack cabinet:

- #2 Phillips screwdriver
- Masking tape or a felt-tip pen, for use in marking the mounting holes to be used

Rack Kit Contents

- One pair of slide assemblies
- One cable-management arm (optional)
- One left cable-management arm ramp assembly
- One right cable-management arm ramp assembly
- One status indicator cable (if applicable)
- Eight 10-32 x 0.5-inch flange-head Phillips screws

 **NOTE:** The nonmetric screws described in illustrations and in procedural steps are identified by size and number of threads per inch. For example, a #10 Phillips-head screw with 32 threads per inch is identified as a 10-32 screw.


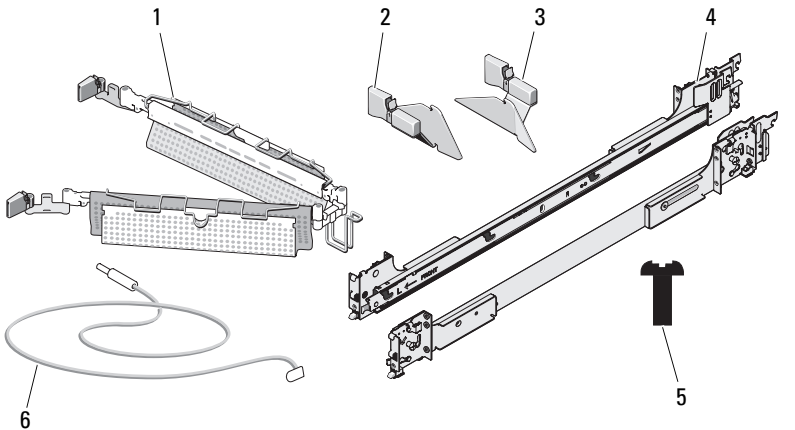

 **NOTE:** Both the right and left cable-management arm ramp assemblies are illustrated in Figure 1-1. Depending on the orientation of the cable-management arm (CMA), you will only use one ramp assembly to secure the CMA to the back of the rack. For more information, see "Attaching the Cable-Management Arm Ramp Assembly" on page 22.

Figure 1-1. Rack Kit Contents



- | | | | | | |
|---|---------------------------------|---|--|---|--|
| 1 | cable-management arm (optional) | 2 | left cable-management arm ramp assembly | 3 | right cable-management arm ramp assembly |
| 4 | slide assemblies | 5 | 10-32 x 0.5-inch flange-head Phillips screws (8) | 6 | status indicator cable (if applicable) |

Installation Tasks

 **NOTE:** Follow the steps for installing a Cable-Management Arm (CMA) if you ordered a CMA with your system. If you did not order a CMA, Dell recommends that you retain the documentation for installing this feature in the event that you choose to order a CMA at a later time.

Installing a rack kit involves performing the following tasks (described in detail in subsequent sections) in their numbered order:


- 1 Removing the rack doors
- 2 Marking the rack
- 3 Configuring the sliding rail assemblies
- 4 Installing the mounting rails in the rack
 - RapidRails installation
 - VersaRails installation

- 5 Installing the system in the rack
- 6 Installing the cable-management arm
- 7 Routing cables
- 8 Attaching the cable-management arm ramp assembly
- 9 Replacing the rack doors

Removing the Rack Doors

See the procedures for removing doors in the documentation provided with your rack cabinet.

 **CAUTION:** Because of the size and weight of the rack cabinet doors, never attempt to remove or install them by yourself.

 **CAUTION:** Store the doors where they will not injure someone if the doors accidentally fall over.

Marking the Rack

For a 2-U system, you must allow 2 U (88 mm, or 3.5 inches) of vertical space for each system you install in the rack.

Rack cabinets that meet EIA-310 standards have an alternating pattern of three holes per rack unit with center-to-center hole spacing (beginning at the top hole of a 1-U space) of 15.9 mm, 15.9 mm, and 12.7 mm (0.625 inch, 0.625 inch, and 0.5 inch) for the front and back vertical rails (see Figure 1-2). Rack cabinets may have round or square holes.


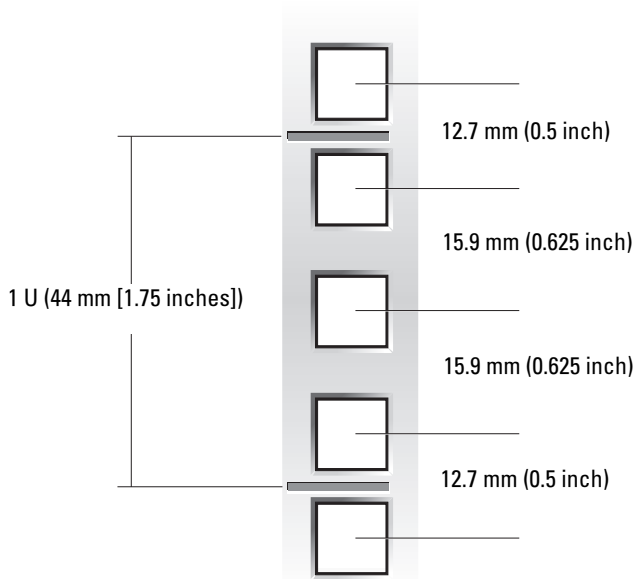
 **NOTE:** The vertical rails may be marked by horizontal lines and numbers in 1-U increments. If you want, you can make a note of the number marking on the rack's vertical rail. It is not necessary to mark or place tape on the rack.

Figure 1-2. One Rack Unit

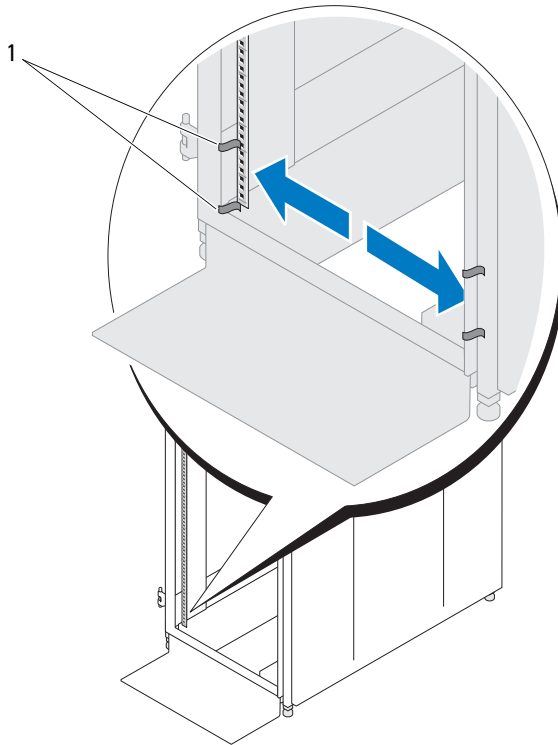


⚠ CAUTION: If you are installing more than one system, install the mounting rails so that the first system is installed in the lowest available position in the rack.

To mark the rack, perform the following steps:

- 1 Place a mark (or tape) on the rack's front vertical rails where you want to locate the bottom of the system you are installing in the rack. The bottom of each 1-U space is at the middle of the narrowest metal area between holes (marked with a horizontal line on some rack cabinets—see Figure 1-3).
- 2 Place a mark 88 mm (3.5 inches) above the original mark you made (or count up three holes in a rack that meets EIA-310 standards) and mark the rack's front vertical rails with a felt-tipped pen or masking tape (if you counted holes, place a mark just above the top hole). This mark or piece of tape indicates where the system's upper edge will be located on the vertical rails (see Figure 1-3).


Figure 1-3. Marking the Vertical Rails



1 marks on vertical rail (2)

Configuring the Sliding Rail Assemblies

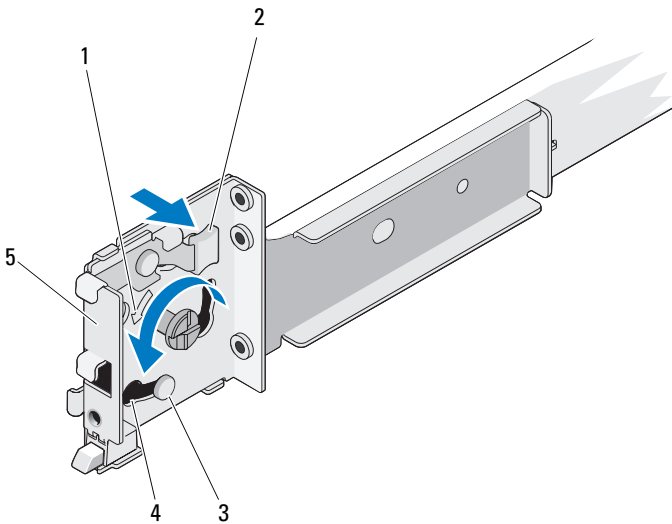
The sliding rail assembly has a rotating mounting bracket at each end of the rail. The position of the bracket determines whether the rail assembly is used as a RapidRail or a VersaRail. The RapidRail side of the bracket has a hook and a latch that secure it to the vertical rail. The VersaRail side of the bracket has three holes and uses screws to attach it to the vertical rail.

 **NOTE:** The rack kit ships with the slide assemblies in the RapidRails configuration.

To change from one type of rail assembly to the other type of rail assembly:

- 1 Lift the blue lever on the rotating mounting bracket (see Figure 1-4).
- 2 Rotate the bracket and slide it up off of the two shoulder standoffs.
- 3 Continue to rotate the bracket 180 degrees until you can set the notches back over the shoulder standoffs.
- 4 Rotate the bracket in the opposite direction until the bracket clicks into place.


Figure 1-4. Changing the Position of the Rotating Mounting Bracket



- | | | |
|--|--------------------|-----------------|
| 1 mounting-bracket flange (RapidRails version shown) | 2 rotating bracket | 3 release lever |
| 4 shoulder standoffs (2) | 5 notches (2) | |

Installing the Mounting Rails in the Rack

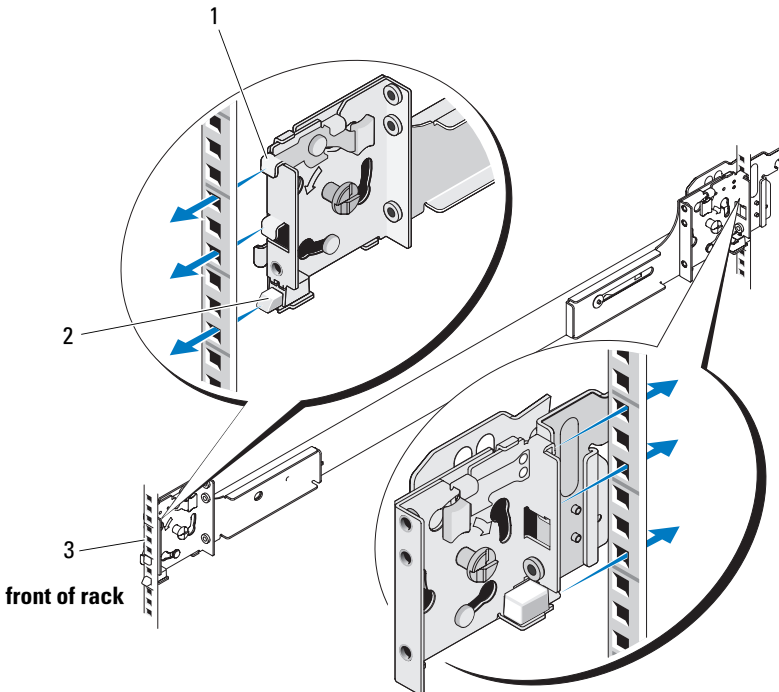
Installing RapidRails Mounting Rails

 **NOTE:** Ensure that the rotating mounting brackets on the slide assemblies are in the RapidRail configuration. See Figure 1-5.

- 1 At the front of the rack cabinet, position one of the mounting rails so that its mounting-bracket flange fits between the marks or tape you placed (or numbered locations) on the vertical rails in "Marking the Rack" on page 10 (see Figure 1-5).

The top mounting hook on the front mounting-bracket flange should enter the top hole between the marks you made on the vertical rails.

Figure 1-5. Installing RapidRails Mounting Rails



1 mounting hooks (4) 2 push buttons (2) 3 mounting rails (2)

- 2 Push the mounting rail forward until the mounting hooks enter their square holes, and then push down on the mounting-bracket flange until the mounting hooks seat and the push button pops out and clicks (see Figure 1-5).
- 3 At the back of the cabinet, pull back on the mounting-bracket flange until the mounting hooks enter their square holes, and then push down on the flange until the mounting hooks seat and the push button pops out and clicks.
- 4 Repeat step 1 through step 3 for the mounting rail on the other side of the rack.



NOTE: Ensure that the mounting rails are mounted at the same vertical position on both sides of the rack.

Installing the VersaRails Mounting Rails



NOTE: Ensure that the rotating mounting brackets on the slide assemblies are in the VersaRail configuration. See Figure 1-6.

- 1 At the front of the rack cabinet, position one of the mounting rails so that its mounting-bracket flange fits between the marks you placed (or numbered locations) on the vertical rails in "Marking the Rack" on page 10 (see Figure 1-6).

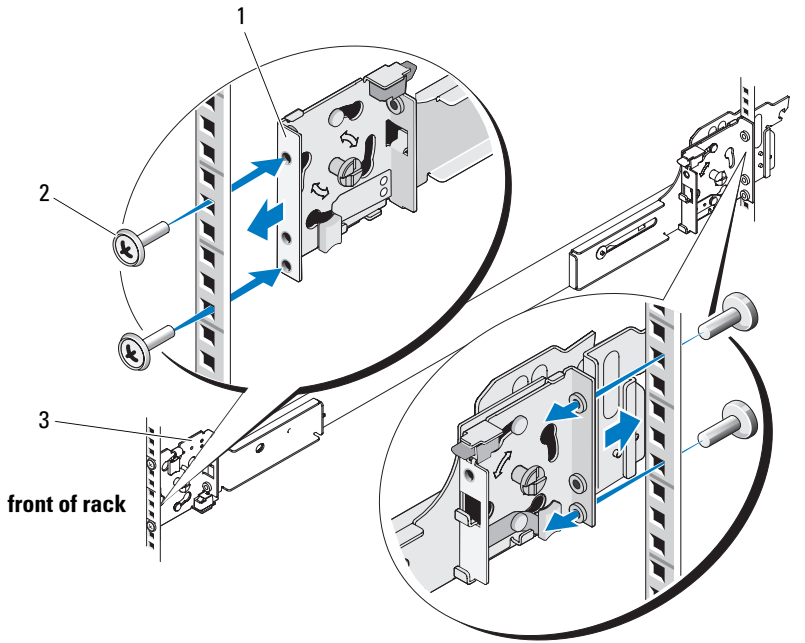
The three holes on the front of the mounting-bracket flange should align with the holes between the marks you made on the front vertical rail.

- 2 Install two 10-32 x 0.5-inch flange-head Phillips screws in the upper and lower holes in the mounting-bracket flange to secure the mounting rail to the front vertical rail.
- 3 At the back of the cabinet, pull back on the mounting-bracket flange until the mounting holes align with their respective holes on the back vertical rail.
- 4 Install two 10-32 x 0.5-inch flange-head Phillips screws in the upper and lower holes in the mounting-bracket flange to secure the mounting rail to the back vertical rail.
- 5 Repeat step 1 through step 4 for the mounting rail on the other side of the rack.



NOTE: Ensure that the mounting rails are mounted at the same position on the vertical rails on each side of the rack.

Figure 1-6. Installing VersaRails Mounting Rails



1 mounting-bracket flange

2 10-32 x 0.5-inch flange-head Phillips screws (4 per mounting rail)

3 mounting rails (2)

Installing the System in the Rack



CAUTION: If you are installing more than one system, install the first system in the lowest available position in the rack.



CAUTION: Because of the size and weight of the system, never attempt to install the system in the mounting rails by yourself.

- 1 Pull the two inner slide rails out of the rack until they lock in the fully extended position.

- 2 Lift the system into position above the extended slides.

The three shoulder screws on the sides of the system fit into the corresponding J-slots (see detail on Figure 1-7) on the inner slide assemblies.

- 3 Lower the back of the system while aligning the back shoulder screws on the sides of the system with the back J-slots on the slide assemblies.

- 4 Engage the back shoulder screws into their respective J-slots.

- 5 Lower the front of the system and fit the middle and front shoulder screws into the J-slots in the slide assemblies.

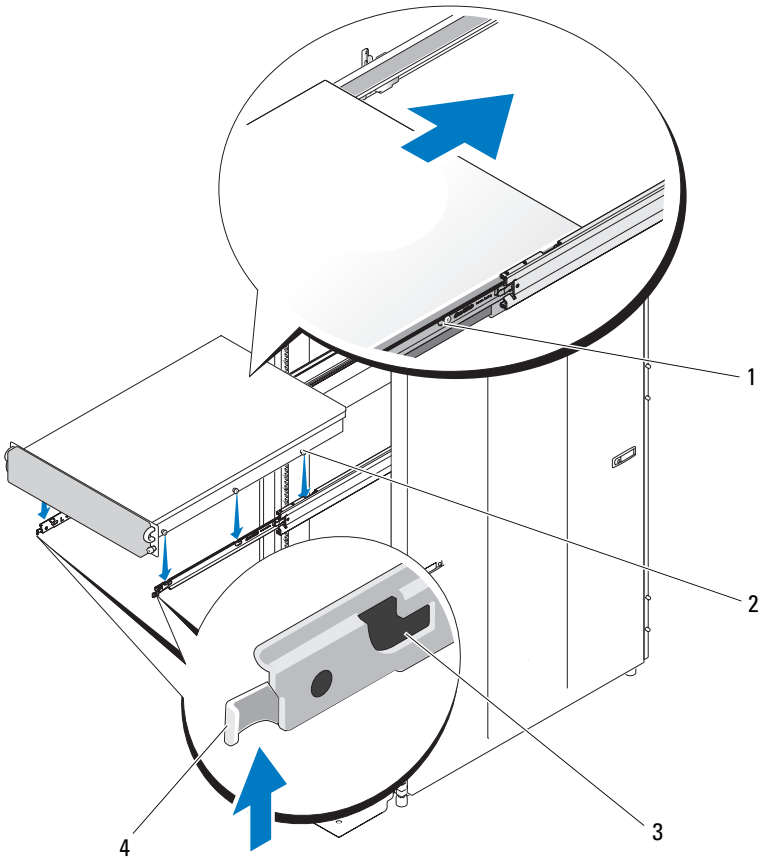
The system release latch at the front of the inner slide rail will snap back as the shoulder screw passes into the front slot. Use this system release latch when you wish to remove the system from the slide assemblies.

- 6 Press the slide-release latch on the outside of each inner slide, then push the system into the rack.

- 7 Install the cable-management arm. See "Installing the Cable-Management Arm" on page 19.

- 8 Tighten the thumbscrews on the rack front panel to secure the slide assemblies to the rack.

Figure 1-7. Installing the System in the Rack



- | | | | |
|---|---------------------|---|---------------------|
| 1 | slide-release latch | 2 | shoulder screws (6) |
| 3 | J slots (6) | 4 | front release latch |

Removing the System From the Rack

To remove the system from the rack, perform the following procedure:

- 1 Turn off the system and attached peripherals, and disconnect the system from the electrical outlet.
- 2 Remove the I/O cable connectors and power cable connectors from their respective connectors on the system back panel.
- 3 Loosen the thumbscrews on each side of the front chassis panel that secures the system to the rack.
- 4 Pull the system out of the rack until it stops because of the safety catch.
- 5 Pull up on the front release latch on each rail to disengage the safety catch (see Figure 1-7) and slide the system forward.
- 6 Pull the system completely out of the rack.

Installing the Cable-Management Arm



NOTE: Follow the steps for installing a Cable-Management Arm (CMA) if you ordered a CMA with your system. If you did not order a CMA, Dell recommends that you retain the documentation for installing this feature in the event that you choose to order a CMA at a later time.



NOTE: You can attach the cable-management arm to either side of the rack cabinet.



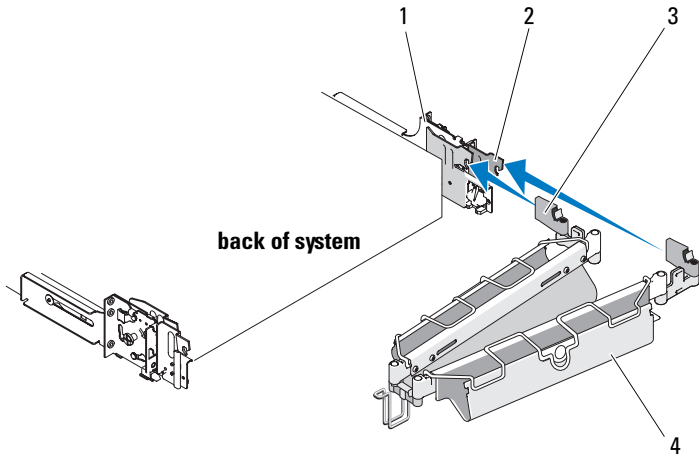
NOTE: Attach the cable-management arm ramp assembly to the side opposite of where you attach the cable-management arm.

- 1 Fit the latch on the front end of the cable-management arm onto the bracket on the end of the mounting rail until the latch clicks (see Figure 1-8).
- 2 Fit the latch on the unattached end of the cable-management arm onto the bracket on the end of the slide assembly until the latch clicks (see Figure 1-8).



CAUTION: Both ends of the cable-management arm must be connected before you begin routing the system cables.

Figure 1-8. Installing the Cable-Management Arm

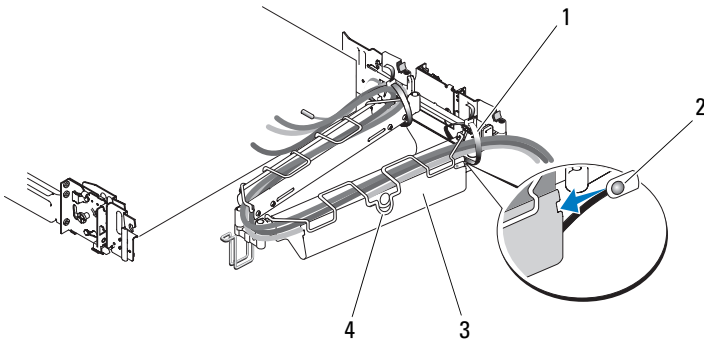


- | | | | |
|---|--------------------|---|----------------------|
| 1 | mounting rails (2) | 2 | brackets (2) |
| 3 | latches (2) | 4 | cable-management arm |

Routing Cables

- 1 Open the wire cable basket on the top of the cable-management arm, to enable cables to be routed within the arms (see Figure 1-9).

Figure 1-9. Routing Cables on the Cable-Management Arm




- | | | | |
|---|----------------------|---|---|
| 1 | tie wraps (2) | 2 | system status-indicator cable connector |
| 3 | cable-management arm | 4 | wire cable basket |

- 2 If applicable, connect the system status-indicator cable to its connector on the system back panel.

Route the system status-indicator cable through the cable-management arm, and press the LED end into the slot on the end of the cable-management arm until it snaps into place.

- 3 Attach the I/O cable connectors and power cable connectors to their respective connectors on the system back panel.

For details on cable connections, see your system's *Getting Started Guide* or *Hardware Owner's Manual*.

 **NOTE:** Use the retainer brackets on the back of the power supplies to provide strain relief for the power cables.

- 4 Route the cables along the bend in the cable-management arm.
- 5 Adjust the cable slack as needed at the hinge position and secure the cables with the tie wraps (see Figure 1-9).

- 6 Close the cable basket.
- 7 Slide the system in and out of the rack to verify that the cables are routed correctly and do not bind, stretch, or interfere with the movement of the cable-management arm. Adjust the cable positioning inside the cable-management arm as needed.



NOTE: If you pull the system out to its furthest extension, the slide assemblies will lock in the extended position. To release the lock, press the slide release latch on the side of each slide and then slide the system into the rack.

- 8 When you are satisfied that the cables are routed correctly, push the system fully into the rack.

Attaching the Cable-Management Arm Ramp Assembly

The cable-management arm ramp assembly guides the cable-management arm into a stable, level position. To attach the cable-management arm ramp assembly:

- 1 Select only one ramp assembly, depending on the orientation of the cable-management arm.
 - a If the cable-management arm is attached on the right side of the rack (as shown in Figure 1-11), attach the left cable-management arm ramp assembly to the rack (see Figure 1-10).
 - b If the cable-management arm is attached on the left side of the rack, attach the right cable-management arm ramp assembly to the rack (see Figure 1-10).



CAUTION: The cable-management arm ramp assembly must be installed to prevent long-term sagging of the cable-management arm.

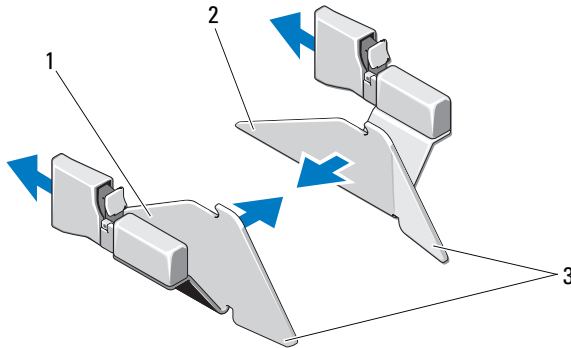


NOTE: Ensure that you use the cable-management arm ramp assembly with the metal ramp facing toward the center of the rack (see Figure 1-10).



NOTE: The orientation shown in Figure 1-10 presumes you are facing the back of the system.

Figure 1-10. Orientation for the Left or Right Cable-Management Arm Ramp Assembly

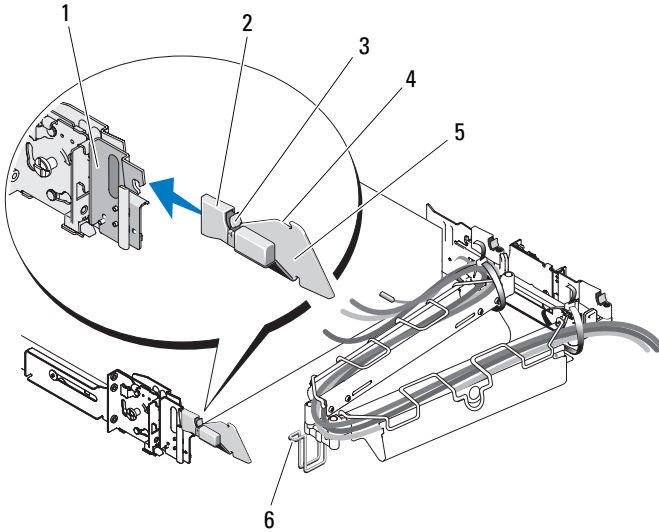


- 1 left cable-management arm ramp assembly 2 right cable-management arm ramp assembly 3 metal ramp

- 2 Fit the latch of the ramp assembly on the ramp assembly bracket, located on the opposite side of the rack from where you attached the cable-management arm (see Figure 1-11).
- 3 To slide the cable-management arm into place:
 - a Locate the ramp assembly wireform guide at the bend of the cable-management arm.
 - b Lift and slide the ramp assembly wireform guide up the ramp, stopping at the ramp assembly seating catch.
 - c If you have selected the correct ramp assembly, the wireform guide will seat correctly in the catch at the top of the ramp assembly each time the system is cycled in the rack. Figure 1-11 shows the left ramp assembly installed with the cable-management arm attached on the right.

To disengage the cable-management arm ramp assembly, press the ramp assembly release button on the ramp assembly latch and pull the ramp assembly off the bracket (see Figure 1-11).

Figure 1-11. Installing the Cable-Management Arm Ramp Assembly



- | | | | | | |
|---|-----------------------------|---|--|---|------------------------------|
| 1 | ramp assembly bracket | 2 | cable-management arm ramp assembly latch | 3 | ramp assembly release button |
| 4 | ramp assembly seating catch | 5 | left cable-management arm ramp assembly | 6 | ramp assembly wireform guide |

NOTE: In Figure 1-11, the cable-management arm is attached on the right side of the rack and the left cable-management arm ramp assembly is attached to the left side of the rack. Conversely, if you attach the cable-management arm on the left side of the rack, attach the right cable-management arm ramp assembly to the right side of the rack.

Replacing the Rack Doors

See the procedures for replacing doors in the documentation provided with your rack.

CAUTION: Because of the size and weight of the rack cabinet doors, never attempt to remove or install them by yourself.

Guide d'installation du rack

Remarques, avis et précautions



REMARQUE : une REMARQUE indique des informations importantes qui peuvent vous aider à mieux utiliser votre ordinateur.



AVIS : un AVIS vous avertit d'un risque de dommage matériel ou de perte de données et vous indique comment éviter le problème.



PRÉCAUTION : une PRÉCAUTION indique un risque potentiel d'endommagement du matériel, de blessure corporelle ou de mort.

Les informations contenues dans ce document peuvent être modifiées sans préavis.
© 2007 Dell Inc. Tous droits réservés.

La reproduction de ce document de quelque manière que ce soit sans l'autorisation écrite de Dell Inc. est strictement interdite.

Marques utilisées dans ce document : *Dell*, le logo *DELL*, *RapidRails* et *VersaRails* sont des marques de Dell Inc.

Tous les autres noms de marques et marques commerciales utilisés dans ce document se rapportent aux sociétés propriétaires de ces marques et de ces noms ou à leurs produits. Dell Inc. décline tout intérêt dans l'utilisation des marques déposées et des noms de marques ne lui appartenant pas.

Sommaire

Consignes de sécurité	29
SÉCURITÉ : montage en rack des systèmes	29
Consignes générales d'installation	30
Avant de commencer	31
Informations importantes concernant la sécurité	31
Spécifications de rack requises pour les rails VersaRails	32
Pieds stabilisateurs du rack	32
Outils et fournitures recommandés	32
Contenu du kit de rack	32
Tâches d'installation	34
Retrait des portes du rack	34
Marquage du rack	35
Configuration des assemblages à glissière	37

Installation des rails de montage dans le rack	38
Installation des rails de montage RapidRails	38
Installation des rails de montage VersaRails	40
Installation du système dans le rack	42
Retrait d'un système installé dans le rack	44
Installation du bras de gestion des câbles	44
Acheminement des câbles	46
Installation de l'assemblage de fixation du bras de gestion des câbles	47
Remise en place des portes du rack	49


Consignes de sécurité

Respectez les consignes de sécurité de ce guide pour assurer votre sécurité personnelle et pour contribuer à protéger votre système et votre environnement de travail de dommages potentiels. Pour obtenir toutes les informations concernant la sécurité et les réglementations, consultez le document *Product Information Guide* (Guide d'informations sur le produit) fourni avec le système. Les informations sur la garantie se trouvent soit dans ce document, soit à part.

SÉCURITÉ : montage en rack des systèmes

Pour garantir la stabilité du rack, ainsi que votre sécurité, respectez les précautions suivantes. Reportez-vous également à la documentation accompagnant le système et le rack pour connaître les mises en garde et les procédures spécifiques.

Les systèmes sont considérés comme étant les composants d'un rack. Le terme "composant" fait donc référence à un système mais aussi aux différents périphériques ou matériels associés.

 **PRÉCAUTION** : avant d'installer des systèmes dans un rack autonome, installez d'abord les pieds stabilisateurs avant et latéraux. Pour plusieurs racks associés, installez d'abord les pieds stabilisateurs avant. L'installation de systèmes dans un rack non équipé de pieds stabilisateurs peut provoquer son basculement et entraîner des blessures. Installez toujours les pieds stabilisateurs du rack avant d'ajouter des composants dans celui-ci.

Après avoir installé un système ou des composants dans un rack, ne faites jamais coulisser hors du rack plus d'un composant à la fois. Le poids de plusieurs composants sortis du rack risquerait de le faire basculer et de blesser quelqu'un gravement.



REMARQUE : le système est certifié sur le plan de la sécurité en tant qu'unité autonome et en tant que composant destiné à être utilisé dans un rack Dell, à l'aide du kit de rack client. L'installation du système et du kit d'installation en rack dans une autre armoire n'a reçu aucune homologation des organismes de certification de la sécurité. Il vous incombe de veiller à ce que la combinaison finale système et rack soit conforme à toutes les normes de sécurité en vigueur, ainsi qu'aux normes électriques locales. Dell décline toute responsabilité et toutes garanties liées à ce type de combinaisons.

- Les kits de rack doivent être installés par des techniciens de maintenance qualifiés. Si vous installez ce kit dans un autre rack, assurez-vous que ce dernier possède les mêmes spécifications qu'un rack Dell.



PRÉCAUTION : ne déplacez pas de rack sans aide. En raison de la hauteur et du poids du rack, cette tâche doit être réalisée par deux personnes au minimum.


- Avant de travailler sur le rack, vérifiez que les pieds stabilisateurs sont fixés au rack, qu'ils touchent le sol et que tout le poids du rack repose sur le sol. Avant d'intervenir sur un rack isolé, installez d'abord les pieds stabilisateurs avant et latéraux. Pour plusieurs racks associés, installez d'abord les pieds stabilisateurs avant.
- Chargez le rack du bas vers le haut, en plaçant toujours l'élément le plus lourd en premier.
- Assurez-vous que le rack est d'aplomb et stable avant de tirer un composant hors de son compartiment.
- Agissez avec précaution lorsque vous appuyez sur les loquets d'éjection des rails pour insérer ou retirer un composant. Veillez notamment à ne pas coincer vos doigts dans les rails coulissants.
- Ne surchargez pas le circuit d'alimentation secteur du rack. La consommation totale du rack ne doit pas dépasser 80 % de la capacité du circuit.
- Assurez-vous que les éléments installés dans le rack sont suffisamment ventilés.
- Ne montez pas sur un composant lorsque vous intervenez sur d'autres composants du rack.


Consignes générales d'installation


Ce guide d'installation s'adresse à des techniciens de maintenance qualifiés. Il contient les instructions relatives à l'installation d'un ou de plusieurs systèmes dans un rack. La configuration RapidRails™ peut être installée sans outils dans tous les racks du fabricant dotés de trous carrés ; la configuration VersaRails™ peut être installée dans la plupart des racks standard équipés de trous carrés ou ronds. Un kit d'installation est nécessaire pour chaque système.

Avant de commencer

Avant de commencer à installer le système dans le rack, lisez attentivement la section “Consignes de sécurité” à la page 29, ainsi que les consignes de sécurité figurant dans le document *Product Information Guide* (Guide d'informations sur le produit) pour plus d'informations.


 **PRÉCAUTION** : si vous installez plusieurs systèmes dans un rack, terminez toutes les opérations requises sur le système en cours d'installation avant de passer au suivant.

 **PRÉCAUTION** : les racks peuvent être extrêmement lourds, mais se déplacent assez facilement sur leurs roulettes. Cependant, les roulettes ne possèdent pas de système de freinage. Procédez avec la plus grande prudence pour déplacer un rack. Rentrez ses pieds réglables lorsque vous le changez d'emplacement. Évitez de déplacer le rack le long de rampes ou de plans inclinés trop longs ou trop abrupts, sur lesquels l'armoire pourrait vous échapper. Ressortez les pieds réglables lorsque l'armoire doit être soutenue ou pour lui éviter de glisser sur ses roulettes.

 **REMARQUE** : pour plus d'informations sur l'installation du système proprement dit, voir “Installation du système dans le rack” à la page 42.


Informations importantes concernant la sécurité

Respectez les précautions décrites dans les sous-sections suivantes lors de l'installation du système dans le rack.


 **PRÉCAUTION** : vous devez respecter à la lettre les procédures de ce document afin de garantir votre propre protection ainsi que celle d'autrui. Le système peut être très lourd et volumineux. Une préparation et une planification adéquates sont donc importantes afin d'éviter tout risque de blessure pour vous-même ou autrui. Ces précautions sont d'autant plus importantes lorsque les systèmes sont installés en hauteur.

 **PRÉCAUTION** : n'installez pas de kits prévus pour un autre système. Sinon, vous risquez d'endommager le système et de vous blesser ou de blesser une autre personne.

Spécifications de rack requises pour les rails VersaRails

 **AVIS** : le kit VersaRails est prévu pour être installé par des techniciens de maintenance qualifiés dans un rack conforme aux spécifications des organismes suivants : American National Standards Institute (ANSI)/Electronic Industries Association (EIA) standard ANSI/EIA-310-D-92, International Electrotechnical Commission (IEC) 297 et Deutsche Industrie Norm (DIN) 41494. Un kit est nécessaire pour chaque système installé dans un rack.

Pieds stabilisateurs du rack

 **PRÉCAUTION** : avant d'installer des systèmes dans un rack autonome, installez d'abord les pieds stabilisateurs avant et latéraux. Pour plusieurs racks associés, installez d'abord les pieds stabilisateurs avant. L'installation de systèmes dans un rack non équipé de pieds stabilisateurs peut provoquer son basculement et entraîner des blessures. Installez toujours les pieds stabilisateurs du rack avant d'ajouter des composants dans celui-ci.

Les pieds stabilisateurs évitent au rack de basculer. Consultez la documentation fournie avec le rack pour savoir comment installer et fixer les pieds stabilisateurs.

Outils et fournitures recommandés

Les outils et fournitures suivants peuvent être nécessaires pour installer le système dans un rack à quatre montants :

- Tournevis cruciforme n° 2
- Bande adhésive ou stylo feutre, pour marquer les trous de montage à utiliser

Contenu du kit de rack

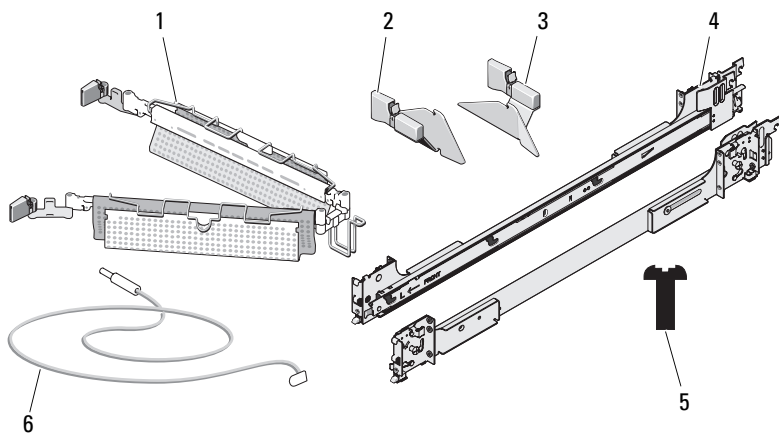
- Une paire d'assemblages à glissière
- Un bras de gestion des câbles (en option)
- Un assemblage de fixation pour le bras de gestion des câbles (gauche)

- Un assemblage de fixation pour le bras de gestion des câbles (droit)
- Un câble de voyant d'état (le cas échéant)
- Huit vis à tête cruciforme 10-32 x 0,5 pouce

REMARQUE : les vis au pas non métrique décrites dans les illustrations et dans les procédures sont identifiées par la taille et le nombre de filets par pouce. Par exemple, une vis à tête cruciforme n° 10 avec 32 filets par pouce est désignée par l'appellation "vis 10-32".

REMARQUE : les deux assemblages de fixation du bras de gestion des câbles (gauche et droit) sont représentés à la figure 1-1. Pour attacher le bras de gestion des câbles à l'arrière du rack, vous n'avez besoin que d'un seul assemblage de fixation. L'assemblage à utiliser dépend du sens dans lequel le bras de gestion des câbles est installé. Pour plus d'informations, voir "Installation de l'assemblage de fixation du bras de gestion des câbles" à la page 47.

Figure 1-1. Contenu du kit de rack



- | | | | | | |
|---|--|---|---|---|--|
| 1 | Bras de gestion des câbles (en option) | 2 | Assemblage de fixation du bras de gestion des câbles (gauche) | 3 | Assemblage de fixation du bras de gestion des câbles (droit) |
| 4 | Assemblages à glissière | 5 | Vis cruciformes à tête plate 10-32 x 0,5 pouce (8) | 6 | Câble de voyant d'état (le cas échéant) |

Tâches d'installation



REMARQUE : si vous avez commandé un bras de gestion des câbles avec votre système, suivez les étapes appropriées pour l'installer. Même si vous ne l'avez pas commandé, Dell vous conseille de conserver la documentation d'installation correspondante, au cas où vous décideriez ensuite de vous en procurer un.

Pour installer un kit, vous devez effectuer dans l'ordre indiqué les tâches suivantes, qui sont décrites plus loin dans ce guide :

- 1 Retrait des portes du rack
- 2 Marquage du rack
- 3 Configuration des assemblages à glissière
- 4 Installation des rails de montage dans le rack
 - Installation du kit RapidRails
 - Installation du kit VersaRails
- 5 Installation du système dans le rack
- 6 Installation du bras de gestion des câbles
- 7 Acheminement des câbles
- 8 Installation de l'assemblage de fixation du bras de gestion des câbles
- 9 Remise en place des portes du rack

Retrait des portes du rack

Pour savoir comment retirer les portes du rack, reportez-vous à la documentation fournie avec ce dernier.



PRÉCAUTION : compte tenu de leur poids et de leur taille, ne retirez ou n'installez jamais les portes sans l'assistance d'une autre personne.



PRÉCAUTION : placez les portes dans un endroit sûr où elles ne risquent pas de tomber accidentellement et de blesser quelqu'un.

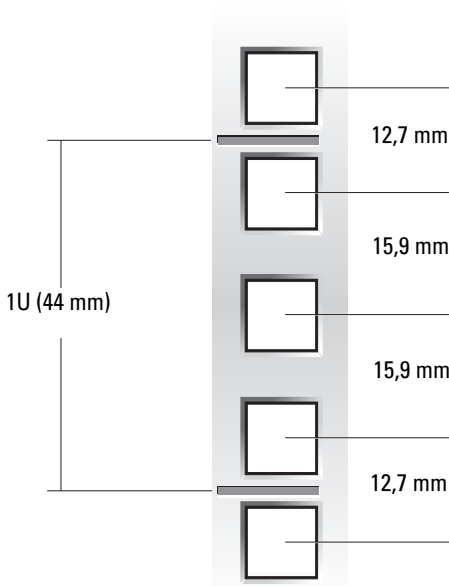
Marquage du rack

Pour un système de 2 U, vous devez compter un espace vertical de 88 mm ou 3,5 pouces pour chaque système installé dans le rack.

Les racks conformes aux normes EIA-310 comportent des séries alternées de trois trous par unité. L'espacement entre les trous, mesuré de centre à centre (en commençant par le trou supérieur) est respectivement de 15,9 mm, 15,9 mm et 12,7 mm pour les rails verticaux avant et arrière (voir la figure 1-2). Les racks peuvent comporter des trous ronds ou carrés.

REMARQUE : les rails verticaux peuvent être marqués par des lignes horizontales et des chiffres progressant par incréments de 1 U. Si vous le souhaitez, vous pouvez noter le numéro figurant sur le rail vertical du rack. Dans ce cas, il n'est pas nécessaire de marquer le rack ni d'y apposer un morceau de bande adhésive.

Figure 1-2. Unité de rack

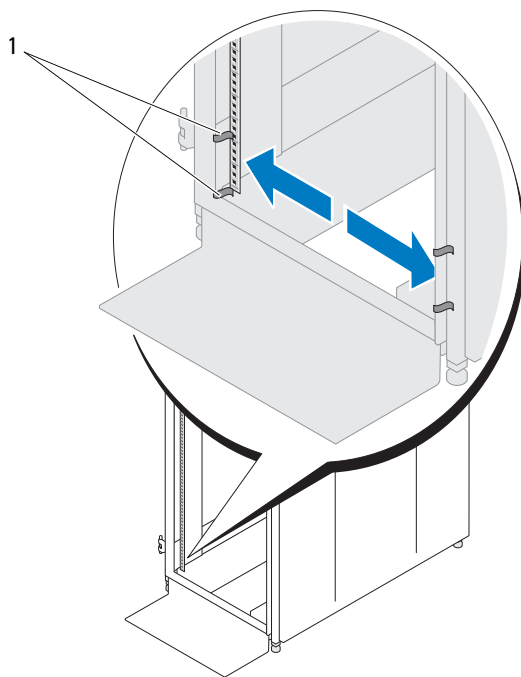


PRÉCAUTION : si vous installez plusieurs systèmes, placez les rails de montage de façon que le premier système soit disposé le plus bas possible dans le rack.

Pour marquer le rack, procédez comme suit :

- 1 Placez une marque (ou de la bande adhésive) sur les rails verticaux avant du rack, à l'endroit correspondant au bas du système à installer. Le bas de chaque espace de 1 U se trouve au milieu de la zone métallique la plus étroite entre les trous (repérée par une ligne horizontale sur certains racks ; voir la figure 1-3).
- 2 Placez une marque à environ 88 mm au-dessus de la marque que vous avez faite au départ (ou remontez de 3 trous dans les racks conformes à la norme EIA-310), puis marquez les rails verticaux du rack avec un stylo feutre ou de la bande adhésive (si vous avez compté les trous, placez une marque juste au-dessus du trou supérieur). Cette marque ou ce morceau de bande adhésive indique l'emplacement du rebord supérieur du système sur les rails verticaux (voir la figure 1-3).

Figure 1-3. Marquage des rails verticaux



1 Marques sur le rail vertical (2)

Configuration des assemblages à glissière

Les assemblages à glissière disposent d'un support de montage rotatif situé à chacune de leurs extrémités. La position de ce support détermine si l'assemblage est utilisé en mode RapidRails ou VersaRails. Le côté RapidRails du support est équipé d'un crochet et d'un loquet qui le fixe au rail vertical. Le côté VersaRails du support comporte trois trous. Le support est alors fixé au rail vertical par des vis.

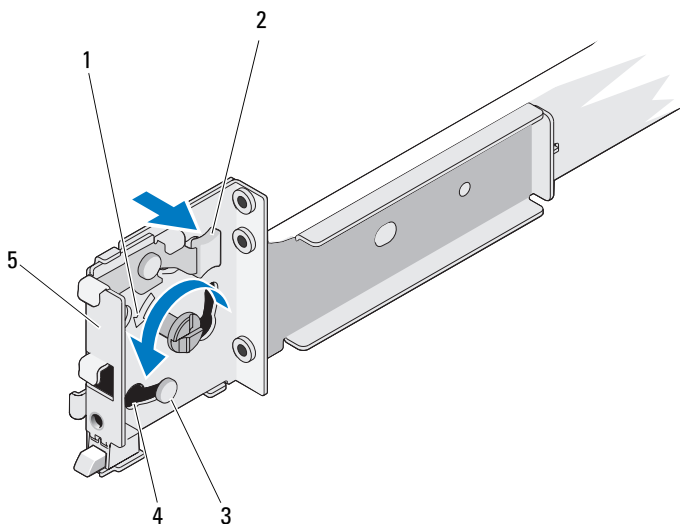


REMARQUE : les assemblages à glissière fournis avec le kit sont montés selon la configuration RapidRails.

Pour passer d'une configuration à l'autre, procédez comme suit :

- 1 Relevez le levier bleu du support de montage rotatif (voir la figure 1-4).
- 2 Faites pivoter le support puis faites-le glisser vers le haut pour le dégager des deux dispositifs à épaulement.
- 3 Continuez de faire pivoter le support à 180 degrés jusqu'à ce que vous puissiez de nouveau placer les encoches sur les dispositifs à épaulement.
- 4 Faites pivoter le support dans la direction opposée jusqu'à ce qu'il s'enclenche.

Figure 1-4. Changement de la position du support de montage rotatif



- | | | | | | |
|---|---|---|-----------------|---|-------------------|
| 1 | Collerette du support de montage (configuration RapidRails) | 2 | Support rotatif | 3 | Levier d'éjection |
| 4 | Dispositifs à épaulement (2) | 5 | Encoches (2) | | |

Installation des rails de montage dans le rack

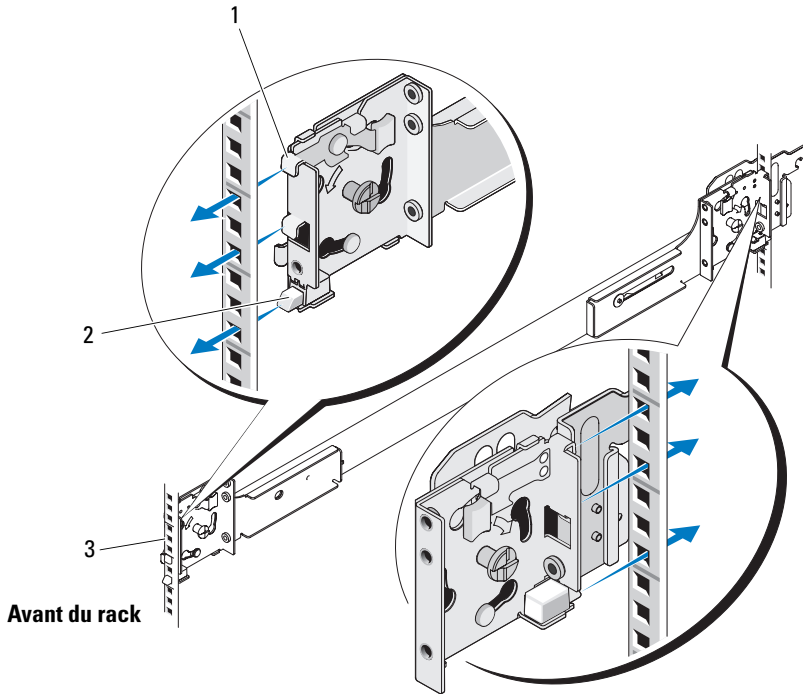
Installation des rails de montage RapidRails

REMARQUE : vérifiez que les supports de montage rotatifs des assemblages à glissière sont montés selon la configuration RapidRails. Voir la figure 1-5.

- 1 À l'avant du rack, positionnez l'un des rails de façon que la collerette du support de montage s'insère entre les marques que vous avez faites (section "Marquage du rack" à la page 35), les morceaux de bande adhésive ou les emplacements numérotés sur les rails verticaux. Voir la figure 1-5.

Le crochet de fixation supérieur situé sur la collerette avant du support de montage doit pénétrer dans le trou supérieur qui se trouve entre les marques faites sur les rails verticaux.

Figure 1-5. Installation des rails de montage RapidRails




1 Crochets de fixation (4) 2 Boutons-poussoirs (2) 3 Rails de montage (2)

- 2 Poussez le rail vers l'avant jusqu'à ce que les crochets de fixation soient positionnés dans les trous carrés, puis appuyez sur la collerette de montage jusqu'à ce que les crochets se mettent en place et que le bouton-poussoir ressorte avec un déclic (voir la figure 1-5).
- 3 À l'arrière de l'armoire, tirez la collerette de montage vers l'arrière jusqu'à ce que les crochets soient positionnés dans les trous carrés, puis appuyez sur la collerette jusqu'à ce que les crochets se mettent en place et que le bouton-poussoir ressorte avec un déclic.
- 4 Recommencez la procédure de l'étape 1 à l'étape 3, pour le rail de montage situé de l'autre côté du rack.



REMARQUE : vérifiez que les rails de montage sont montés à la même position verticale de chaque côté du rack.

Installation des rails de montage VersaRails

 **REMARQUE** : vérifiez que les supports de montage rotatifs des assemblages à glissière sont montés selon la configuration VersaRails. Voir la figure 1-6.

- 1 À l'avant du rack, positionnez l'un des rails de façon que la collerette du support de montage s'insère entre les marques que vous avez faites (section “Marquage du rack” à la page 35), les morceaux de bande adhésive ou les emplacements numérotés sur les rails verticaux.

Voir la figure 1-6.

Les trois trous situés à l'avant de la collerette du support de montage doivent s'aligner avec ceux qui se trouvent entre les marques que vous avez faites sur le rail vertical avant.

- 2 Insérez deux vis cruciformes 10-32 x 0,5 pouce dans les trous supérieur et inférieur de la collerette du support de montage pour fixer le rail de montage sur le rail vertical avant.
- 3 À l'arrière de l'armoire, tirez sur la collerette du support de montage jusqu'à ce que les trous de montage s'alignent avec les trous correspondants du rail vertical arrière.
- 4 Insérez deux vis cruciformes 10-32 x 0,5 pouce dans les trous supérieur et inférieur de la collerette du support de montage pour fixer le rail de montage sur le rail vertical arrière.
- 5 Recommencez la procédure de l'étape 1 à l'étape 4, pour le rail de montage situé de l'autre côté du rack.


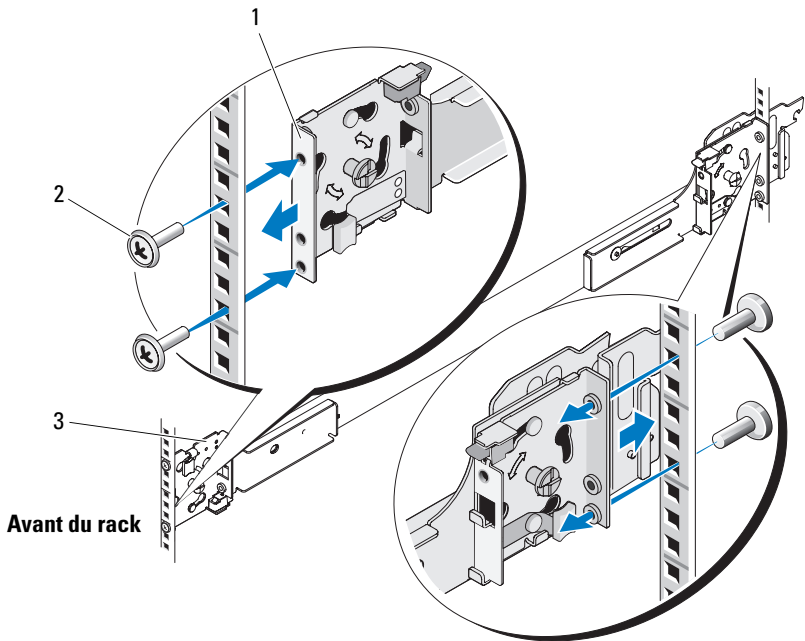
 **REMARQUE** : vérifiez que les rails sont montés à la même hauteur sur les rails verticaux de chaque côté du rack.

Figure 1-6. Installation des rails de montage VersaRails



- | | | | | | |
|---|----------------------------------|---|--|---|----------------------|
| 1 | Collerette du support de montage | 2 | Vis cruciformes à tête plate 10-32 x 0,5 pouce (4 par rail de montage) | 3 | Rails de montage (2) |
|---|----------------------------------|---|--|---|----------------------|

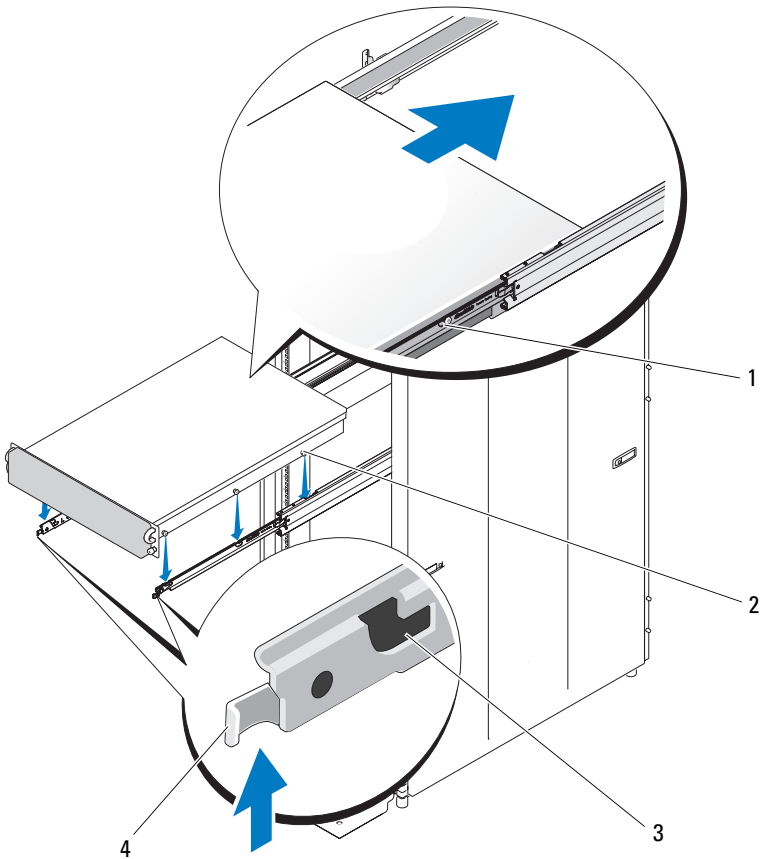
Installation du système dans le rack

 **PRÉCAUTION** : si vous installez plusieurs systèmes, installez le premier le plus bas possible dans le rack.

 **PRÉCAUTION** : en raison de la taille et du poids du système, ne tentez jamais de l'installer seul dans les rails de montage.

- 1 Tirez les deux rails coulissants intérieurs hors du rack jusqu'à ce qu'ils bloquent sur la butée.
- 2 Soulevez le système pour le placer au dessus des rails coulissants.
Les trois vis à épaulement situées de chaque côté du système s'emboîtent dans les fentes en forme de J qui se trouvent sur les assemblages à glissière intérieurs (voir la figure 1-7).
- 3 Inclinez le système vers l'arrière tout en alignant les vis à épaulement arrière situées sur les côtés du système avec les fentes en J situées à l'arrière des assemblages à glissière.
- 4 Emboîtez les vis à épaulement arrière dans les fentes correspondantes.
- 5 Abaissez l'avant du système jusqu'à ce que les vis à épaulement avant et centrale s'emboîtent dans les fentes en J.
Le loquet d'éjection du système situé à l'avant du rail coulissant intérieur s'enclenche lorsque la vis à épaulement s'insère dans la fente avant.
Utilisez ce loquet pour retirer le système des assemblages à glissière.
- 6 Appuyez sur le loquet d'éjection situé à l'extérieur de chaque rail coulissant intérieur, puis poussez le système dans le rack.
- 7 Installez le bras de gestion des câbles. Voir "Installation du bras de gestion des câbles" à la page 44.
- 8 Serrez les vis moletées sur le panneau avant du rack pour fixer les assemblages à glissière sur le rack.

Figure 1-7. Installation du système dans le rack



1 Loquet d'éjection
de l'assemblage à glissière

3 Fentes en forme de J (6)

2 Vis à épaulement (6)

4 Loquet d'éjection frontal

Retrait d'un système installé dans le rack

Pour retirer le système du rack, procédez comme suit :

- 1 Éteignez le système et les périphériques connectés, puis débranchez-le de la prise secteur.
- 2 Débranchez les câbles d'E-S et les câbles d'alimentation des connecteurs correspondants, à l'arrière du système.
- 3 Desserrez les vis moletées situées de chaque côté du panneau avant du châssis (qui fixe le système au rack).
- 4 Tirez le système hors du rack jusqu'à ce qu'il soit arrêté par la butée de sécurité.
- 5 Soulevez le loquet d'éjection avant de chaque rail pour dégager la butée de sécurité (voir la figure 1-7), puis faites glisser le système vers l'avant.
- 6 Retirez complètement le système du rack.

Installation du bras de gestion des câbles



REMARQUE : si vous avez commandé un bras de gestion des câbles avec votre système, suivez les étapes appropriées pour l'installer. Même si vous ne l'avez pas commandé, Dell vous conseille de conserver la documentation d'installation correspondante, au cas où vous décideriez ensuite de vous en procurer un.



REMARQUE : le bras de gestion des câbles peut être installé sur le côté droit ou gauche du rack.



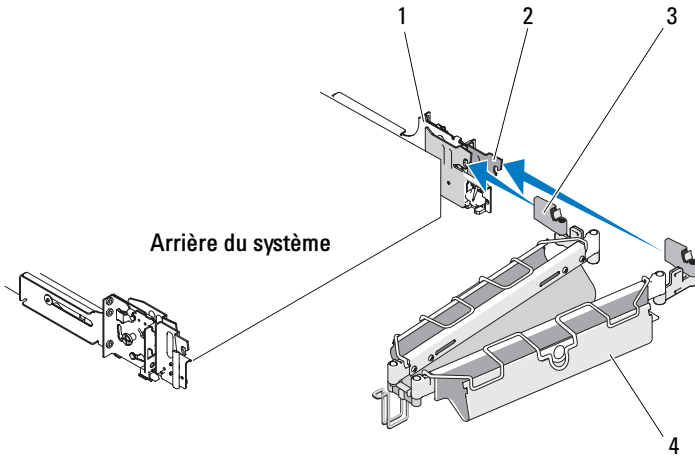
REMARQUE : l'assemblage de fixation du bras de gestion des câbles doit être installé du côté opposé à celui où vous avez fixé le bras.

- 1 Emboîtez le loquet situé à l'extrémité avant du bras de gestion des câbles sur le support situé au bout du rail de montage, jusqu'à ce que vous entendiez un déclic (voir la figure 1-8).
- 2 Emboîtez le loquet situé à l'extrémité non fixée du bras de gestion des câbles sur le support situé au bout de l'assemblage à glissière, jusqu'à ce que vous entendiez un déclic (voir la figure 1-8).



PRÉCAUTION : vous devez fixer les deux extrémités du bras de gestion des câbles avant de l'utiliser pour disposer les câbles du système.

Figure 1-8. Installation du bras de gestion des câbles

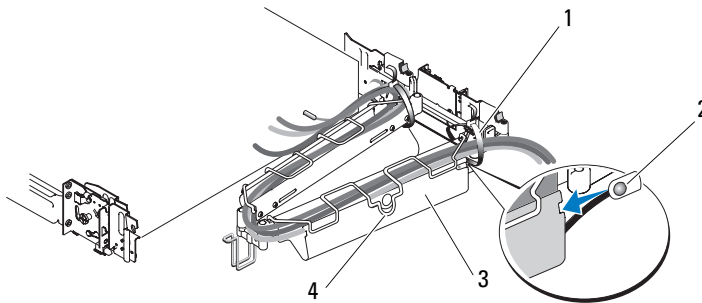


- | | | | |
|---|----------------------|---|----------------------------|
| 1 | Rails de montage (2) | 2 | Supports (2) |
| 3 | Loquets (2) | 4 | Bras de gestion des câbles |

Acheminement des câbles

- 1 Ouvrez le conduit situé sur la partie supérieure du bras de gestion des câbles pour permettre le passage des câbles (voir la figure 1-9).

Figure 1-9. Acheminement des câbles dans le bras de gestion des câbles



- | | | | |
|---|----------------------------|---|---|
| 1 | Fixe-câbles (2) | 2 | Connecteur du câble du voyant d'état du système |
| 3 | Bras de gestion des câbles | 4 | Conduit du bras de gestion des câbles |


- 2 Le cas échéant, connectez le câble du voyant d'état dans le connecteur approprié, sur le panneau arrière du système.
Faites passer ce câble dans le bras de gestion des câbles et emboîtez l'extrémité dotée du voyant dans l'emplacement situé à l'extrémité du bras de gestion des câbles.

- 3 Branchez les câbles d'E/S et les câbles d'alimentation sur les connecteurs correspondants, à l'arrière du système.

Pour plus de détails sur le branchement des câbles, consultez les documents *Getting Started Guide* (Guide de mise en route) ou *Hardware Owner's Manual* (Manuel du propriétaire).

REMARQUE : pour éviter une tension excessive des câbles d'alimentation, faites-les passer dans les boucles situées à l'arrière des blocs d'alimentation.

- 4 Faites passer les câbles tout au long du bras de gestion des câbles.
- 5 Réglez la tension des câbles autour de la charnière, puis utilisez les fixe-câbles pour maintenir les câbles en position (voir la figure 1-9).

- 6 Refermez le conduit de câbles.
- 7 Poussez le système dans le rack puis ressortez-le, pour vérifier que les câbles sont installés correctement et ne se bloquent pas, ne se tendent pas et ne se coincent pas lors du déplacement du passe-câbles. Si nécessaire, repositionnez les câbles dans le bras de gestion des câbles.
 -  **REMARQUE** : si vous tirez le système au maximum, les assemblages à glissière se verrouillent dans cette position. Pour les déverrouiller, appuyez sur le loquet d'éjection situé sur le côté de chaque assemblage à glissière, puis faites coulisser le système dans le rack.
- 8 Une fois les câbles correctement positionnés, enfoncez le système dans le rack.

Installation de l'assemblage de fixation du bras de gestion des câbles

L'assemblage de fixation du bras de gestion des câbles permet de maintenir ce dernier en position stable. Pour installer cet assemblage :

- 1 Choisissez l'assemblage gauche ou droit, selon le sens dans lequel le bras de gestion des câbles est installé.
 - a Si le bras de gestion des câbles est attaché sur le côté droit du rack (comme dans la figure 1-11), vous devez installer l'assemblage de fixation de gauche (voir la figure 1-10).
 - b Si le bras de gestion des câbles est attaché sur le côté gauche du rack, vous devez installer l'assemblage de fixation de droite (voir la figure 1-10).



PRÉCAUTION : l'assemblage de fixation doit impérativement être installé ; il permet d'éviter l'affaissement du bras de gestion des câbles, qui risque de se produire au bout d'un certain temps.

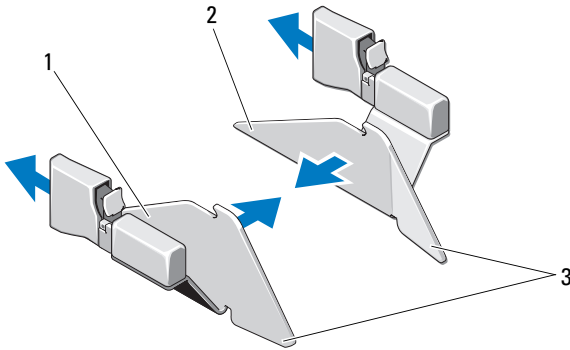


REMARQUE : lorsque vous utilisez l'assemblage de fixation, assurez-vous que la rampe métallique se trouve du bon côté (vers l'intérieur du rack). Voir la figure 1-10).



REMARQUE : dans la figure 1-10, les assemblages de fixation sont représentés tels que vous les verriez en vous plaçant face à l'arrière du système.

Figure 1-10. Orientation de l'assemblage de fixation du bras de gestion des câbles (côté gauche ou droit)

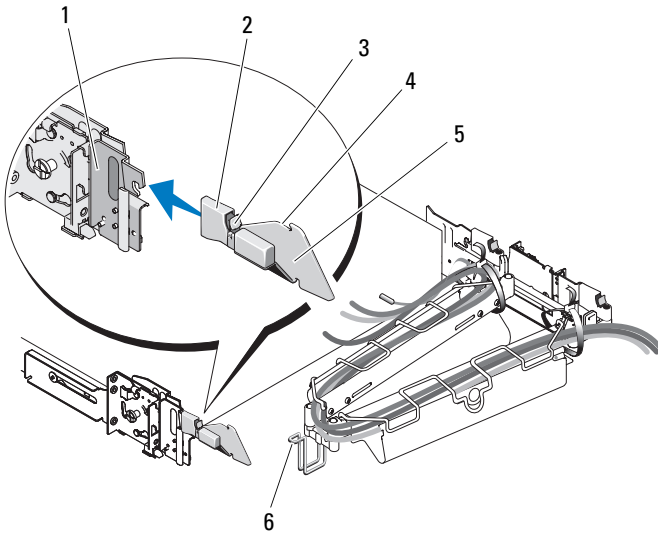


- | | | | | | |
|---|--|---|---|---|------------------|
| 1 | Assemblage de fixation du bras de gestion des câbles (côté gauche) | 2 | Assemblage de fixation du bras de gestion des câbles (côté droit) | 3 | Rampe métallique |
|---|--|---|---|---|------------------|

- 2 Emboîtez le loquet de l'assemblage de fixation sur le support approprié. Ce support est situé sur le côté du rack opposé à celui où vous avez fixé le bras de gestion des câbles (voir la figure 1-11).
- 3 Pour mettre le bras de gestion des câbles en place :
 - a Repérez le dispositif de guidage situé à la charnière du bras de gestion des câbles.
 - b Soulevez ce dispositif et faites-le remonter jusqu'au cran situé sur la rampe de l'assemblage de fixation.
 - c Si vous avez choisi le bon assemblage, le dispositif de guidage s'emboîte correctement sur ce cran chaque fois que le système est inséré dans le rack. La figure 1-11 montre l'assemblage de fixation de gauche installé et le bras de gestion des câbles attaché sur le côté droit du rack.

Pour désenclencher l'assemblage de fixation, appuyez sur le bouton d'éjection situé sur le loquet et retirez l'assemblage du support (voir la figure 1-11).

Figure 1-11. Installation de l'assemblage de fixation du bras de gestion des câbles



- | | | | | | |
|---|-------------------------------------|---|--|---|-----------------------|
| 1 | Support de l'assemblage de fixation | 2 | Loquet de l'assemblage de fixation | 3 | Bouton d'éjection |
| 4 | Cran | 5 | Assemblage de fixation du bras de gestion des câbles (côté gauche) | 6 | Dispositif de guidage |

REMARQUE : dans la figure 1-11, le bras de gestion des câbles est attaché sur le côté droit du rack. L'assemblage de fixation de gauche est donc installé sur le côté gauche. Inversement, si le bras de gestion des câbles est attaché sur le côté gauche du rack, vous devez installer l'assemblage de fixation de droite sur le côté droit du rack.

Remise en place des portes du rack

Pour savoir comment remettre en place les portes du rack, reportez-vous à la documentation fournie avec ce dernier.

⚠ PRÉCAUTION : compte tenu de leur poids et de leur taille, ne retirez ou n'installez jamais les portes sans l'assistance d'une autre personne.

Rack-Installationsanleitung

Anmerkungen, Hinweise und Vorsichtshinweise



ANMERKUNG: Eine ANMERKUNG macht auf wichtige Informationen aufmerksam, die die Arbeit mit dem Computer erleichtern.



HINWEIS: Ein HINWEIS warnt vor möglichen Beschädigungen der Hardware oder vor Datenverlust und zeigt auf, wie derartige Probleme vermieden werden können.



VORSICHT: Hiermit werden Sie auf eine potentiell gefährliche Situation hingewiesen, die zu Sachschäden, Verletzungen oder zum Tod führen könnte.

Irrtümer und technische Änderungen vorbehalten.

© 2007 Dell Inc. Alle Rechte vorbehalten.

Die Reproduktion dieses Dokuments in jeglicher Form ist ohne schriftliche Genehmigung von Dell Inc. streng untersagt.

In diesem Text verwendete Marken: *Dell*, das *DELL* Logo, *RapidRails* und *VersaRails* sind Marken von Dell Inc.

Alle anderen in dieser Dokumentation genannten Marken und Handelsbezeichnungen sind Eigentum der jeweiligen Hersteller und Firmen. Dell Inc. erhebt keinen Anspruch auf Marken und Handelsbezeichnungen mit Ausnahme der eigenen.

Inhalt

Sicherheitshinweise	55
SICHERHEIT: Montieren von Systemen im Rack	55
Allgemeine Installationsanleitung	56
Bevor Sie beginnen	57
Wichtige Sicherheitshinweise	57
Rack-Anforderungen für VersaRails	57
Rack-Stabilisatoren	58
Empfohlene Werkzeuge und Zubehör	58
Inhalt des Rack-Kits	58
Ablauf der Installation	59
Abnehmen der Rack-Türen	60
Markieren des Racks	60
Konfiguration der Gleitschienensätze	63
Installation der Montageschienen im Rack	64
Installation der RapidRails-Montageschienen	64
Installation der VersaRails-Montageschienen	66

Installation des Systems im Rack	68
Entfernen des Systems aus dem Rack	70
Installation des Kabelführungsarms	70
Verlegen der Kabel	71
Anbringen der Halterampe für den Kabelführungsarm	73
Wiederanbringen der Rack-Türen	75

Sicherheitshinweise

Beachten Sie die nachfolgenden Sicherheitshinweise, um Ihre eigene Sicherheit zu gewährleisten und eine Beschädigung des Systems und der Arbeitsumgebung zu vermeiden. Vollständige Informationen über die Sicherheitsanforderungen und Betriebsvorschriften finden Sie im *Product Information Guide* (Produktinformationshandbuch) zum System. Die Garantieinformationen befinden sich entweder dort oder in einem gesonderten Dokument.

SICHERHEIT: Montieren von Systemen im Rack

Beachten Sie die folgenden Vorsichtsmaßnahmen für die Stabilität und Sicherheit des Racks. Spezielle Warnungen und/oder Sicherheitshinweise und Prozeduren finden Sie auch in der zum System gehörenden Dokumentation zur Rack-Installation.

Systeme gelten als Komponenten in einem Rack. Der Begriff „Komponente“ bezieht sich also auf ein beliebiges System oder auch Peripheriegeräte und Zusatzhardware.



VORSICHT: Bevor Sie Systeme in einem Rack einbauen, installieren Sie bei frei stehenden Racks die vorderen und seitlichen Stabilisatoren und bei Racks, die mit anderen Racks verbunden sind, die vorderen Stabilisatoren. Wenn vor dem Einsetzen von Systemen in einem Rack keine Stabilisatoren angebracht werden, kann das Rack unter Umständen umkippen und Verletzungen verursachen. Befestigen Sie daher immer zuerst die Stabilisatoren, bevor Sie Komponenten im Rack installieren.

Ziehen Sie nach dem Einbau von Systemen/Komponenten in einem Rack niemals mehr als eine Komponente gleichzeitig auf den Gleitschienen aus dem Rack. Durch das Gewicht von mehr als einer Komponente kann das Rack umkippen und Verletzungen verursachen.



ANMERKUNG: Das System ist als frei stehende Einheit und für die Verwendung als Komponente in einem Dell-Rack unter Verwendung des kundenseitigen Rack-Kits sicherheitszertifiziert. Die Installation des Systems und des Rack-Kits in anderen Gestellschränken ist von keiner Prüfbehörde abgenommen. Sie sind selbst dafür verantwortlich, dass die endgültige Kombination von System und Rack alle geltenden Sicherheitsstandards und die lokalen elektrischen Richtlinien erfüllt. Dell übernimmt keinerlei Haftung und Gewährleistung für derartige Kombinationen.

- System-Rack-Kits sollten von geschulten Servicetechnikern in einem Rack installiert werden. Wenn Sie das Kit in einem anderen Rack installieren, vergewissern Sie sich, dass das Rack die Spezifikationen eines Dell-Racks erfüllt.



VORSICHT: Große Racks dürfen nicht von einer Person allein bewegt werden. Wegen der Höhe und des Gewichts des Racks sollte diese Arbeit mit mindestens zwei Personen durchgeführt werden.


- Bevor Sie an einem Rack arbeiten, vergewissern Sie sich, dass die Stabilisatoren sicher am Rack befestigt sind, fest auf dem Boden aufliegen und dass das gesamte Gewicht des Racks auf dem Boden lastet. Montieren Sie an einem einzelnen Rack die vorderen und seitliche Stabilisatoren, an mehreren miteinander verbundenen Racks die vordere Stabilisatoren, bevor Sie Arbeiten am Rack durchführen.
- Bestücken Sie das Rack immer von unten nach oben, und setzen Sie die schwerste Komponente zuerst ein.
- Vergewissern Sie sich, dass das Rack gerade und stabil steht, bevor Sie eine Komponente aus dem Rack ziehen.
- Es besteht Quetschgefahr für die Finger, wenn Sie auf die Schienenverriegelung der Komponente drücken und eine Komponente in das Rack schieben oder herausziehen.
- Überlasten Sie nicht den Wechselstromkreis, über den das Rack mit Strom versorgt wird. Die Gesamtlast des Racks sollte 80 Prozent der Nennbelastbarkeit des Stromkreises nicht überschreiten.
- Überprüfen Sie, ob eine ausreichende Luftzufuhr zu den Komponenten im Rack gewährleistet ist.
- Treten Sie nicht auf Komponenten und stellen Sie sich nicht darauf, wenn Sie an anderen Komponenten in einem Rack Arbeiten durchführen.


Allgemeine Installationsanleitung


Diese Installationsanleitung enthält Anweisungen zur Installation eines oder mehrerer Systeme in einem Rack durch geschulte Servicetechniker. Die Rapid-Rails™-Konfiguration lässt sich ohne Werkzeuge in allen Herstellergestellschränken mit Rechtecklöchern installieren, und die VersaRails™-Konfiguration in den meisten Standardgestellschränken mit Rechteck- oder Rundlöchern. Für jedes im Rack installierte System wird ein Rack-Kit benötigt.

Bevor Sie beginnen

Bevor Sie mit der Installation des Systems im Rack beginnen, lesen Sie aufmerksam den Abschnitt „Sicherheitshinweise“ auf Seite 55 sowie die Sicherheitshinweise im *Product Information Guide* (Produktinformationshandbuch) zum System.


 **VORSICHT:** Wenn Sie mehrere Systeme in einem Rack installieren, schließen Sie alle Maßnahmen für ein System ab, bevor Sie das nächste System installieren.

 **VORSICHT:** Racks können sehr schwer sein und leicht wegrollen. Sie sind nicht mit Bremsen ausgestattet. Bewegen Sie ein Rack nur mit größter Vorsicht. Fahren Sie die höhenverstellbaren Füße ein, bevor Sie ein Rack bewegen. Vermeiden Sie lange bzw. steile Neigungen oder Rampen, auf denen Sie die Kontrolle über das Rack verlieren könnten. Fahren Sie die höhenverstellbaren Füße aus, damit das Rack abgestützt wird und nicht wegrollen kann.

 **ANMERKUNG:** Wie das System selbst installiert wird, erfahren Sie unter „Installation des Systems im Rack“ auf Seite 68.


Wichtige Sicherheitshinweise

Beachten Sie beim Einbau des Systems im Rack die Sicherheitsmaßnahmen in den folgenden Unterabschnitten.


 **VORSICHT:** Befolgen Sie die in diesem Dokument angegebenen Vorgehensweisen genau, um sich selbst und andere Personen nicht zu gefährden. Das System ist möglicherweise sehr groß und schwer. Sie sollten die Installation sorgfältig vorbereiten und planen, um Verletzungen vorzubeugen. Diese Vorkehrungen gelten umso mehr, wenn Systeme oben im Rack installiert werden.

 **VORSICHT:** Installieren Sie keine Rack-Kit-Komponenten, die für andere Systeme vorgesehen sind. Verwenden Sie ausschließlich das für das System vorgesehene Rack-Kit. Wenn Sie das Rack-Kit für ein anderes System verwenden, könnte das System beschädigt und Sie selbst oder andere Personen verletzt werden.

Rack-Anforderungen für VersaRails

 **HINWEIS:** Das VersaRails-Rack-Kit ist zur Installation durch geschulte Servicetechniker in einem Rack vorgesehen, das den Spezifikationen ANSI/EIA-310-D-92 (American National Standards Institute bzw. Electronic Industries Association), IEC 297 (International Electrotechnical Commission) und der DIN 41494 (Deutsches Institut für Normung) entspricht. Für jedes in einem Rack montierte System wird ein Rack-Kit benötigt.

Rack-Stabilisatoren

 **VORSICHT:** Bevor Sie Systeme in einem Rack einbauen, installieren Sie bei frei stehenden Racks die vorderen und seitlichen Stabilisatoren und bei Racks, die mit anderen Racks verbunden sind, die vorderen Stabilisatoren. Wenn vor dem Einsetzen von Systemen in einem Rack keine Stabilisatoren angebracht werden, kann das Rack unter Umständen umkippen und Verletzungen verursachen. Befestigen Sie daher immer zuerst die Stabilisatoren, bevor Sie Komponenten im Rack installieren.

Die Stabilisatoren verhindern das Umkippen des Racks. Anleitungen zur Installation und Befestigung der Stabilisatoren finden Sie in der mit dem Gestellschrank gelieferten Dokumentation.

Empfohlene Werkzeuge und Zubehör

Sie benötigen eventuell folgende Hilfsmittel zur Installation des Systems in einem Rack mit vier Stützen:

- Kreuzschlitzschraubenzieher Größe 2
- Kreppband oder einen Filzstift zur Markierung der verwendeten Montagelöcher

Inhalt des Rack-Kits

- Ein Paar Gleitschienen
- Kabelführungsarm (optional)
- Linke Halterampe für Kabelführungsarm
- Rechte Halterampe für Kabelführungsarm
- Statusanzeigekabel (falls zutreffend)
- Acht 10-32 x 0,5-Zoll Kreuzschlitzbundschraben

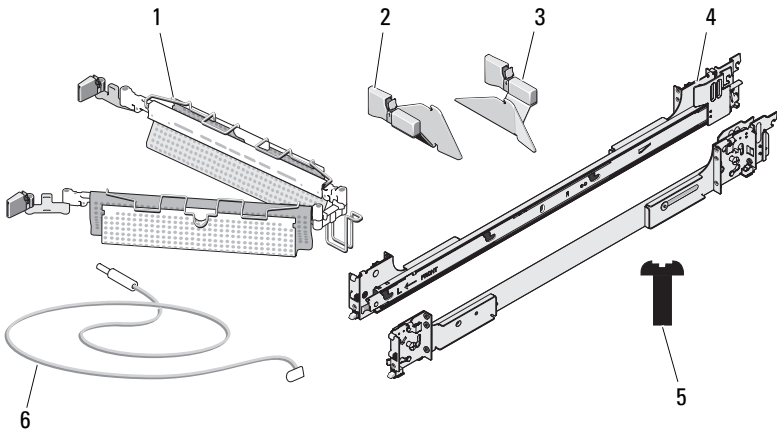


ANMERKUNG: Die in den Abbildungen und Anweisungen genannten nichtmetrischen Schrauben werden nach ihrer Größe und der Anzahl der Windungen pro Zoll bezeichnet. So wird z. B. eine Kreuzschlitzschraube Nr. 10 mit 32 Windungen pro Zoll als 10-32-Schraube bezeichnet.



ANMERKUNG: Die linke und rechte Halterampe für den Kabelführungsarm sind in Abbildung 1-1 dargestellt. Je nach Orientierung des Kabelführungsarms wird eine der Halterampen verwendet, um den Kabelführungsarm auf der Rückseite des Racks zu befestigen. Weitere Informationen erhalten Sie unter „Anbringen der Halterampe für den Kabelführungsarm“ auf Seite 73.

Abbildung 1-1. Inhalt des Rack-Kits



- | | | | | | |
|---|-----------------------------|---|---|---|--|
| 1 | Kabelführungsarm (optional) | 2 | Linke Halterampe für Kabelführungsarm | 3 | Rechte Halterampe für Kabelführungsarm |
| 4 | Schiebeeinheiten | 5 | 10-32 x 0,5-Zoll Kreuzschlitzbundschraben (8) | 6 | Statusanzeigekabel (falls zutreffend) |

Ablauf der Installation

ANMERKUNG: Befolgen Sie die Anweisungen zum Installieren eines Kabelführungsarms, falls Sie einen solchen mit dem System bestellt haben. Wenn Sie keinen Kabelführungsarm bestellt haben, wird empfohlen, die entsprechende Installationsanleitung für den Fall aufzubewahren, dass Sie zu einem späteren Zeitpunkt einen Kabelführungsarm ergänzen wollen.

Bei der Montage eines Rack-Kits sind die folgenden Arbeitsschritte (ausführlich in den nächsten Abschnitten beschrieben) nacheinander auszuführen:

- 1 Abnehmen der Rack-Türen
- 2 Markieren des Racks
- 3 Konfiguration der Gleitschiensätze
- 4 Installation der Montageschienen im Rack
 - Installation von RapidRails
 - Installation von VersaRails

- 5 Installation des Systems im Rack
- 6 Kabelführungsarm installieren
- 7 Kabel verlegen
- 8 Befestigen der Halterampe für den Kabelführungsarm
- 9 Anbringen der Rack-Türen

Abnehmen der Rack-Türen

Siehe Vorgehensweise zum Entfernen der Türen in der Dokumentation des Racks.



VORSICHT: Da die Rack-Türen sehr groß und schwer sind, versuchen Sie niemals, die Türen ohne fremde Hilfe abzunehmen oder einzubauen.



VORSICHT: Stellen Sie die Türen so ab, dass niemand verletzt wird, wenn diese versehentlich umfallen.

Markieren des Racks

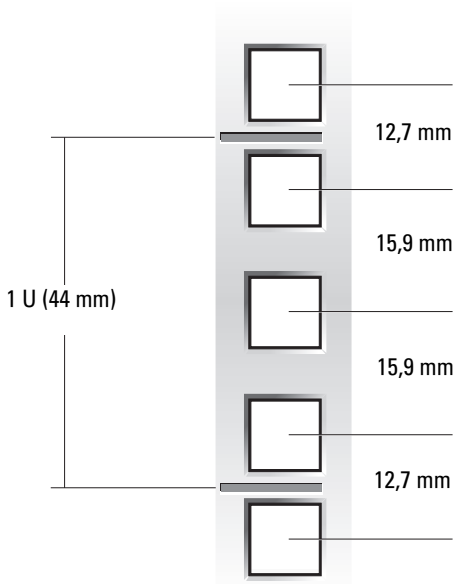
Bei einem 2-U-System benötigen Sie für jedes System, das Sie im Rack installieren, einen vertikalen Abstand von 2 U (88 mm).

Gestellschränke, die den EIA-310-Standards entsprechen, weisen ein sich wiederholendes Muster aus drei Löchern pro Rack-Einheit auf, deren Mittenabstand zueinander (beginnend mit dem oberen Loch einer 1-U-Einheit) 15,9 mm, 15,9 mm und 12,7 mm an den vorderen und hinteren vertikalen Schienen beträgt (siehe Abbildung 1-2). Die Racks haben meist runde oder rechteckige Löcher.



ANMERKUNG: Die vertikalen Schienen sind eventuell in Abständen von 1 U mit horizontalen Linien und Zahlen markiert. Notieren Sie sich die Nummer der Markierung auf der vertikalen Schiene. So brauchen Sie keine zusätzlichen Markierungen oder Klebeband am Rack anzubringen.

Abbildung 1-2. Eine Rack-Einheit



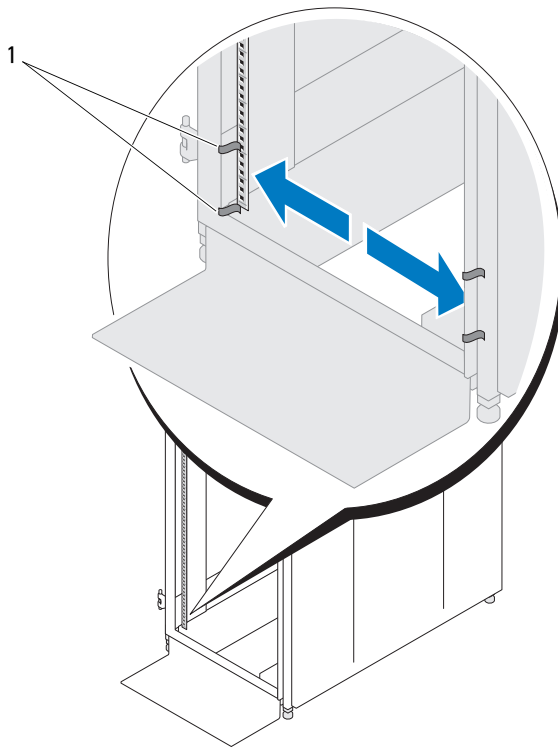
! **VORSICHT:** Wenn Sie mehr als ein System einsetzen wollen, installieren Sie die Montageschienen so, dass sich das erste System möglichst weit unten im Rack befindet.

Gehen Sie zum Markieren des Racks wie folgt vor:

- 1 Bringen Sie auf den vorderen vertikalen Schienen des Racks eine Markierung (mit Stift oder Klebeband) an der Stelle an, an der sich die Unterseite des Systems befinden soll, das Sie in den Rack einbauen möchten. Die Unterkante jeder 1-U-Einheit befindet sich in der Mitte des schmalsten Metallstücks zwischen den Löchern (bei einigen Racks mit einer horizontalen Linie gekennzeichnet, siehe Abbildung 1-3).

- 2 Bringen Sie eine Markierung 88 mm über der ursprünglichen Markierung an (oder zählen Sie in einem EIA-310-Rack drei Löcher nach oben). Markieren Sie die vorderen vertikalen Schienen mit einem Filzstift oder einem Stück Kreppband (falls Sie die Löcher gezählt haben, bringen Sie direkt über dem oberen Loch eine Markierung an). Die Markierung bzw. das Kreppband zeigt die spätere Position der Oberkante des Systems an den vertikalen Schienen (siehe Abbildung 1-3).

Abbildung 1-3. Markieren der vertikalen Schienen



1 Markierungen auf vertikalen Schienen (2)

Konfiguration der Gleitschienensätze

Der Gleitschienensatz verfügt an den Enden jeweils über eine drehbare Montagehalterung. Die Position der Halterung bestimmt, ob der Schienensatz als RapidRails oder VersaRails eingesetzt wird. Auf der RapidRails-Seite der Halterung befinden sich ein Haken und eine Verriegelung zur Befestigung an der vertikalen Schiene. Auf der VersaRails-Seite der Halterung befinden sich drei Löcher, und zur Befestigung an der vertikalen Schiene kommen Schrauben zum Einsatz.

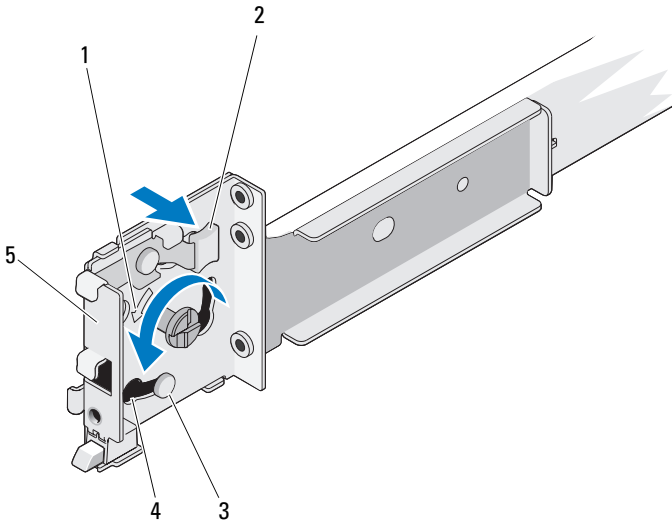


ANMERKUNG: Bei Auslieferung befinden sich die Gleitschienensätze des Rack-Kits in der RapidRails-Konfiguration.

So ändern Sie wechselseitig den Montagetyp des Schienensatzes:

- 1 Heben Sie den blauen Hebel an der drehbaren Montagehalterung an (Abbildung 1-4).
- 2 Drehen Sie die Halterung und schieben Sie sie von den zwei Abstandshaltern nach oben weg.
- 3 Drehen Sie die Halterung weiter bis auf 180 Grad, bis die Abstandshalter wieder in die Aussparungen eingreifen.
- 4 Drehen Sie die Halterung bis zum Einrasten in die Gegenrichtung.


Abbildung 1-4. Position der drehbaren Montagehalterung ändern



- | | | | | | |
|---|--|---|-----------------------|---|---------------|
| 1 | Montagehalterungsflansch
(RapidRails-Version dargestellt) | 2 | Drehbare
Halterung | 3 | Freigabehebel |
| 4 | Abstandshalter (2) | 5 | Kerben (2) | | |

Installation der Montageschienen im Rack

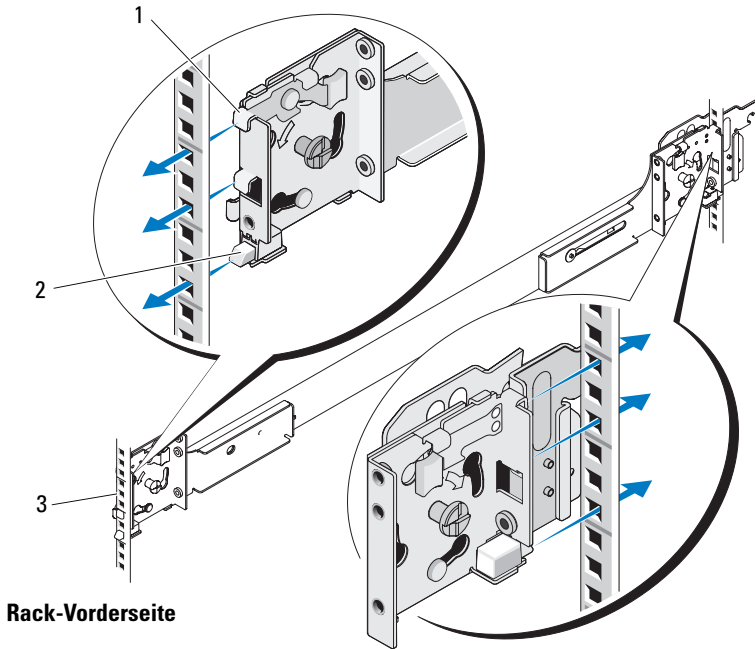
Installation der RapidRails-Montageschienen

 **ANMERKUNG:** Stellen Sie sicher, dass sich die drehbaren Montagehalterungen an den Schienensätzen in der RapidRails-Konfiguration befinden. Siehe Abbildung 1-5.

- 1 Setzen Sie eine der Montageschienen so an der Vorderseite des Gestellschranks an, dass sich der zugehörige Montagehalterungsflansch zwischen den Markierungen (oder an der Markierung mit der richtigen Zahl) aus dem Schritt „Markieren des Racks“ auf Seite 60 an den vertikalen Schienen befindet (siehe Abbildung 1-5).

Der obere Montagehaken am vorderen Montagehalterungsflansch sollte in das obere Loch zwischen den Markierungen auf den vertikalen Schienen eingreifen.

Abbildung 1-5. RapidRails-Montageschienen installieren



Rack-Vorderseite

- 1 Montagehaken (4) 2 Drucktasten (2) 3 Montageschienen (2)
- 2 Schieben Sie die Montageschiene nach vorn, bis die Montagehaken in die Rechtecklöcher eingreifen, und drücken Sie dann den Montagehalterungsflansch nach unten, bis die Montagehaken sitzen und der Verriegelungsknopf herauspringt und einrastet (siehe Abbildung 1-5).
 - 3 Ziehen Sie an der Rückseite des Gestellschranks den Flansch der Montagehalterung nach hinten, bis die Montagehaken in die Rechtecklöcher eingreifen. Drücken Sie dann den Flansch nach unten, bis die Montagehaken sitzen und der Verriegelungsknopf herauspringt und einrastet.
 - 4 Wiederholen Sie Schritt 1 bis Schritt 3 für die Montageschiene auf der anderen Seite des Racks.



ANMERKUNG: Achten Sie darauf, dass die Montageschienen auf beiden Rack-Seiten in der gleichen Höhe an den vertikalen Schienen befestigt werden.

Installation der VersaRails-Montageschienen



ANMERKUNG: Stellen Sie sicher, dass sich die drehbaren Montagehalterungen an den Schienensätzen in der VersaRails-Konfiguration befinden.
Siehe Abbildung 1-6.

- 1 Setzen Sie eine der Montageschienen so an der Vorderseite des Gestellschranks an, dass sich der zugehörige Montagehalterungsflansch zwischen den Markierungen (oder an der Markierung mit der richtigen Zahl) aus dem Schritt „Markieren des Racks“ auf Seite 60 an den vertikalen Schienen befindet (siehe Abbildung 1-6).

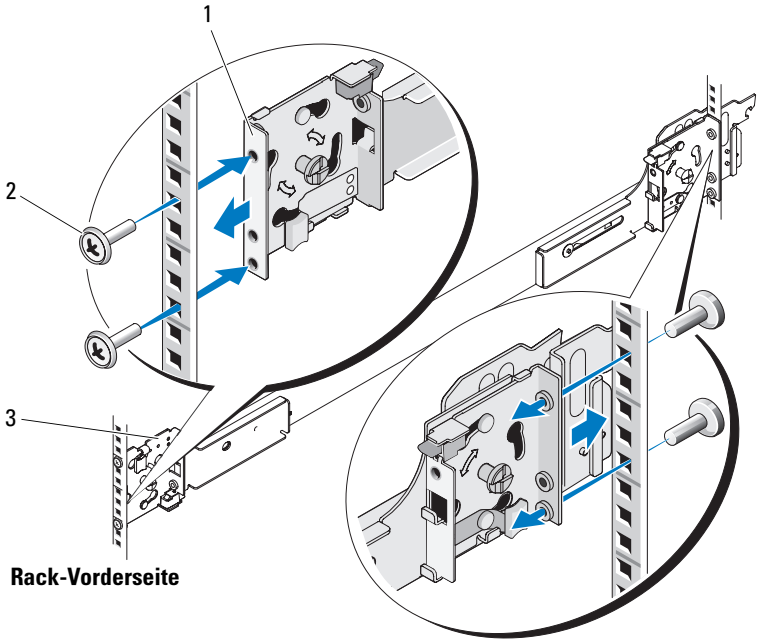
Die drei Löcher an der Vorderseite des Montagehalterungsflansches sollten mit den Löchern zwischen Ihren Markierungen an der vorderen vertikalen Schiene übereinstimmen.

- 2 Befestigen Sie die Montageschiene durch je eine 10-32 x 0,5 Zoll-Kreuzschlitzbundschaube im oberen und unteren Loch des Montageflanschs an der vorderen vertikalen Schiene.
- 3 Ziehen Sie den Montagehalterungsflansch auf der Rack-Rückseite nach hinten, bis seine Montagelöcher mit den rechteckigen Löchern auf der hinteren vertikalen Schiene übereinstimmen.
- 4 Befestigen Sie die Montageschiene durch je eine 10-32 x 0,5 Zoll-Kreuzschlitzbundschaube im oberen und unteren Loch des Montageflanschs an der hinteren vertikalen Schiene.
- 5 Wiederholen Sie Schritt 1 bis Schritt 4 für die Montageschiene auf der anderen Seite des Racks.



ANMERKUNG: Achten Sie darauf, dass die Montageschienen auf jeder Rack-Seite jeweils an der gleichen Stelle an den vertikalen Schienen montiert werden.

Abbildung 1-6. Installation der VersaRails-Montageschienen



1 Flansch der Montagehalterung

2 10-32 x 0,5-Zoll Kreuzschlitzbundschrauben (4 pro Montageschiene)

3 Montageschienen (2)

Installation des Systems im Rack

 **VORSICHT: Wenn Sie mehr als ein System installieren, installieren Sie das erste System in der untersten möglichen Position im Rack.**

 **VORSICHT: Wegen der Größe und des Gewichts des Systems sollten Sie niemals versuchen, das System ohne fremde Hilfe in den Montageschienen zu installieren.**

- 1 Ziehen Sie die beiden inneren Gleitschienen aus dem Rack, bis sie in der vollständig ausgezogenen Position einrasten.
- 2 Heben Sie das System über die herausgezogenen Gleitschienen in Position.

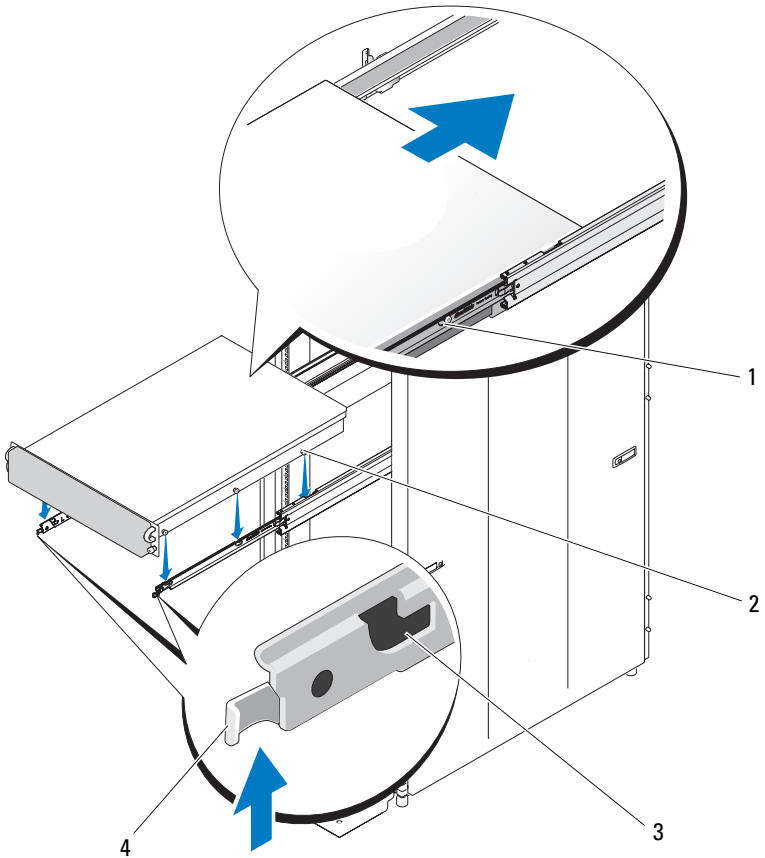
Die jeweils drei Ansatzschrauben an den Seiten des Systems greifen in die entsprechenden J-förmigen Aussparungen in den inneren Schienensätzen (siehe Detaildarstellung in Abbildung 1-7).

- 3 Senken Sie die Rückseite des Systems ab, und richten Sie dabei die hinteren Ansatzschrauben auf den Seiten des Systems mit den J-förmigen Aussparungen in den Schienensätzen aus.
- 4 Lassen Sie die hinteren Ansatzschrauben in die jeweiligen J-förmigen Aussparungen eingreifen.
- 5 Senken Sie die Systemvorderseite ab, und führen Sie die mittleren und vorderen Ansatzschrauben in die jeweiligen J-förmigen Aussparungen in den Schienensätzen ein.

Die Systemsperrklinke auf der Vorderseite der inneren Gleitschiene schnappt zurück, wenn die Ansatzschraube in die vordere Aussparung gelangt. Mithilfe dieser Sperrklinke können Sie das System aus den Gleitschienen entfernen.

- 6 Drücken Sie auf die Sperrklinken an den Außenseiten der inneren Gleitschienen und schieben Sie das System vollständig in das Rack.
- 7 Installieren Sie den Kabelführungsarm. Siehe „Installation des Kabelführungsarms“ auf Seite 70.
- 8 Ziehen Sie die Rändelschrauben auf der Rack-Vorderseite fest, um die Schienensätze am Rack zu sichern.

Abbildung 1-7. System im Rack installieren



- | | | | |
|---|-----------------------------|---|----------------------------------|
| 1 | Sperrklinke der Laufschiene | 2 | Ansatzschrauben (6) |
| 3 | J-förmige Aussparungen (6) | 4 | Verriegelung auf der Vorderseite |

Entfernen des Systems aus dem Rack

Gehen Sie wie folgt vor, um das System aus dem Rack zu entfernen:

- 1 Schalten Sie das System und die angeschlossenen Peripheriegeräte aus, und trennen Sie das System vom Netzstrom.
- 2 Entfernen Sie die Daten- und Netzstromkabel von den entsprechenden Anschlüssen auf der Rückseite des Systems.
- 3 Lösen Sie die Flügelschrauben auf beiden Seiten der Gehäusefrontplatte, die das System am Rack sichern.
- 4 Ziehen Sie das System bis zur Sicherungsraste aus dem Rack.
- 5 Ziehen Sie an beiden Schienen die vordere Sperrklinke nach oben, um die Sicherungsraste zu entsperren (siehe Abbildung 1-7), und schieben Sie das System nach vorn.
- 6 Ziehen Sie das System vollständig aus dem Rack.

Installation des Kabelführungsarms



ANMERKUNG: Befolgen Sie die Anweisungen zum Installieren eines Kabelführungsarms, falls Sie einen solchen mit dem System bestellt haben. Wenn Sie keinen Kabelführungsarm bestellt haben, wird empfohlen, die entsprechende Installationsanleitung für den Fall aufzubewahren, dass Sie zu einem späteren Zeitpunkt einen Kabelführungsarm ergänzen wollen.



ANMERKUNG: Sie können den Kabelführungsarm an beiden Seiten des Racks befestigen.



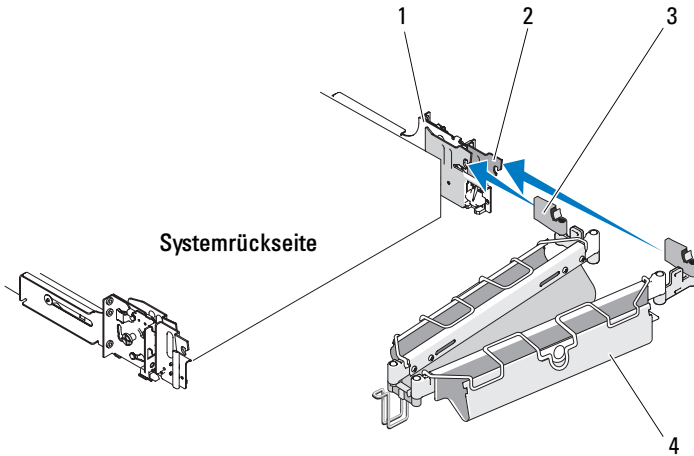
ANMERKUNG: Befestigen Sie die Halterampe für den Kabelführungsarm auf der Seite, die dem Befestigungspunkt des Kabelführungsarms gegenüber liegt.

- 1 Befestigen Sie die Sperrklinke am vorderen Ende des Kabelführungsarms am äußeren Halter der Montageschiene, bis die Verbindung einrastet (siehe Abbildung 1-8).
- 2 Befestigen Sie die Sperrklinke am losen Ende des Kabelführungsarms am äußeren Halter des Schienensatzes, bis die Verbindung einrastet (siehe Abbildung 1-8).



VORSICHT: Beide Enden des Kabelführungsarms müssen befestigt sein, bevor Sie mit dem Verlegen der Kabel beginnen.

Abbildung 1-8. Kabelführungsarm installieren

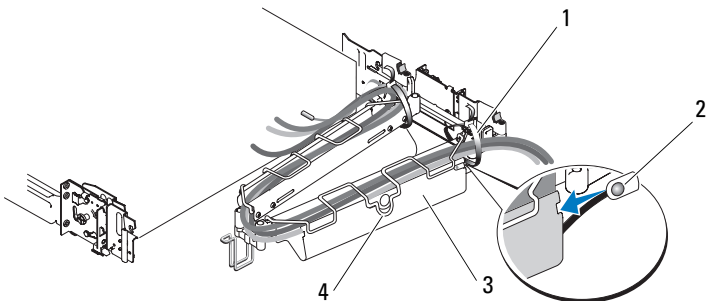


- | | | | |
|---|---------------------|---|------------------|
| 1 | Montageschienen (2) | 2 | Halter (2) |
| 3 | Halteklemmen (2) | 4 | Kabelführungsarm |

Verlegen der Kabel

- 1 Öffnen Sie den Kabeltunnel auf der Oberseite des Kabelführungsarms, um die Kabel im Arm verlegen zu können (siehe Abbildung 1-9).

Abbildung 1-9. Kabel am Kabelführungsarm verlegen



- | | | | |
|---|------------------|---|------------------------------------|
| 1 | Kabelbinder (2) | 2 | Steckplatz für Systemstatusanzeige |
| 3 | Kabelführungsarm | 4 | Kabeltunnel |

- 2 Verbinden Sie gegebenenfalls den Stecker des Statusanzeigekabels mit dem zugehörigen Anschluss auf der Systemrückseite.
Verlegen Sie das Kabel der Systemstatusanzeige im Kabelführungsarm, und drücken Sie das LED-Ende in den Steckplatz am Ende des Kabelführungsarms, bis es einrastet.

- 3 Verbinden Sie die Daten- und Netzstromkabel mit den entsprechenden Anschlüssen auf der Rückseite des Systems.

Ausführliche Informationen zu Kabelverbindungen finden Sie in der *Getting Started Guide* (Anleitung „Erste Schritte“) oder im *Hardware Owner's Manual* (Hardware-Benutzerhandbuch) zum System.



ANMERKUNG: Verwenden Sie die Halteklammern auf der Rückseite der Netzteile, um die Netzstromkabel zu entlasten.

- 4 Verlegen Sie die Kabel entlang des Knicks im Kabelführungsarm.
- 5 Sorgen Sie gegebenenfalls für Kabelzuschlag im Scharnierbereich, und sichern Sie die Kabel mit den Kabelbindern (siehe Abbildung 1-9).
- 6 Schließen Sie den Kabeltunnel.
- 7 Bewegen Sie das System im Rack vor und zurück, um zu überprüfen, ob die Kabel korrekt verlegt sind und nicht eingeklemmt oder gedehnt werden bzw. die Bewegung des Kabelführungsarms beeinträchtigen. Passen Sie gegebenenfalls die Lage der Kabel im Kabelführungsarm an.



ANMERKUNG: Wenn Sie das System vollständig herausziehen, werden die Schiebemechanismen in der ausgezogenen Position verriegelt. Um die Sperre zu entriegeln, drücken Sie die Sperrklinken auf den Seiten der Gleitschienen, und schieben Sie dann das System in das Rack.

- 8 Wenn Sie mit der Kabelführung zufrieden sind, schieben Sie das System vollständig in das Rack.

Anbringen der Halterampe für den Kabelführungsarm

Die Halterampe dient dazu, den Kabelführungsarm in eine stabile, ebene Position zu bringen. Befestigen Sie die Halterampe für den Kabelführungsarm wie folgt:

- 1 Wählen Sie eine der Halterampen entsprechend der Orientierung des Kabelführungsarms aus.
 - a Wenn der Kabelführungsarm auf der rechten Seite des Racks befestigt ist (wie dargestellt in Abbildung 1-11), montieren Sie die linke Halterampe am Rack (siehe Abbildung 1-10).
 - b Wenn der Kabelführungsarm auf der linken Seite des Racks befestigt ist, montieren Sie die rechte Halterampe am Rack (siehe Abbildung 1-10).



VORSICHT: Die Halterampe muss installiert werden, um langfristig ein Durchhängen des Kabelführungsarms zu verhindern.

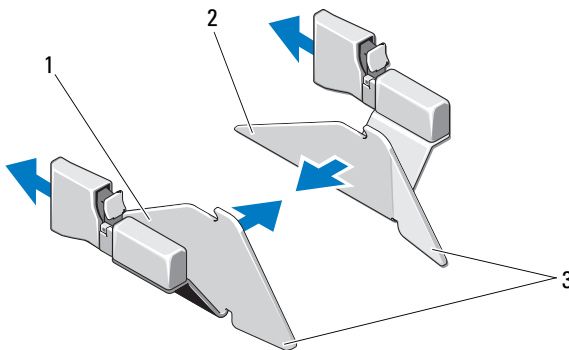


ANMERKUNG: Achten Sie darauf, dass Sie die Halterampe so ansetzen, dass die Metallschräge zur Mitte des Racks weist (siehe Abbildung 1-10).



ANMERKUNG: Bei der in Abbildung 1-10 dargestellten Orientierung wird davon ausgegangen, dass Sie auf der Rückseite des System stehen.

Abbildung 1-10. Orientierung für linke oder rechte Halterampe für Kabelführungsarm



1 Linke Halterampe für Kabelführungsarm

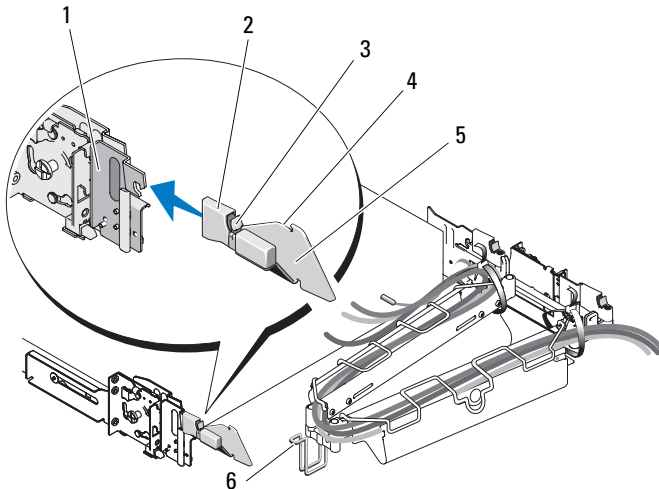
2 Rechte Halterampe für Kabelführungsarm

3 Metallschräge

- 2 Befestigen Sie den Riegel der Halterampe am entsprechenden Montagehalter, der sich gegenüber dem Befestigungspunkt des Kabelführungsarms befindet (siehe Abbildung 1-11).
- 3 So schieben Sie den Kabelführungsarm in Position:
 - a Am Scharnier des Kabelführungsarms befindet sich eine Drahtführung für die Rampenvorrichtung.
 - b Heben Sie die Drahtführung an und schieben Sie sie auf die Halterampe, bis die Sperre eingreift.
 - c Wenn Sie die richtige Halterampe ausgewählt haben, ruht die Drahtführung danach bei jedem Einschieben korrekt in der Sperre auf der Oberseite der Halterampe. Abbildung 1-11 zeigt die linke Halterampe mit dem Kabelführungsarm auf der rechten Seite.

Um die Halterampe zu entfernen, drücken Sie die Sperrtaste, und ziehen Sie die Halterampe aus dem Montagehalter (siehe Abbildung 1-11).

Abbildung 1-11. Halterampe für Kabelführungsarm installieren



- | | | | | | |
|---|------------------------------|---|---------------------------------------|---|-----------------------------|
| 1 | Montagehalter für Halterampe | 2 | Riegel der Halterampe | 3 | Sperrtaste der Halterampe |
| 4 | Aufsitzsperre der Halterampe | 5 | Linke Halterampe für Kabelführungsarm | 6 | Drahtführung für Halterampe |



ANMERKUNG: In Abbildung 1-11 ist der Kabelführungsarm auf der rechten Seite des Racks montiert, und die linke Halterampe für den Kabelführungsarm ist auf der linken Seite des Racks angebracht. Wenn Sie umgekehrt den Kabelführungsarm auf der linken Seite des Racks montieren, müssen Sie die rechte Halterampe auf der rechten Seite des Racks anbringen.

Wiederanbringen der Rack-Türen

Siehe Vorgehensweise zum Anbringen der Türen in der Dokumentation des Racks.



VORSICHT: Da die Rack-Türen sehr groß und schwer sind, versuchen Sie niemals, die Türen ohne fremde Hilfe abzunehmen oder einzubauen.

ラック取り付けガイド

メモ、注意、警告



メモ：コンピュータを使いやすくするための重要な情報を説明しています。



注意：ハードウェアの損傷やデータの損失の可能性を示し、その危険を回避するための方法を説明しています。



警告：物的損害、けが、または死亡の原因となる可能性があることを示しています。

本書の内容は予告なく変更されることがあります。

© 2007 すべての著作権は Dell Inc. にあります。

Dell Inc. の書面による許可のない複製は、いかなる形態においても厳重に禁じられています。

本書に使用されている商標：Dell、DELL ロゴ、RapidRails、および VersaRails は Dell Inc. の商標です。

本書では、必要に応じて上記以外の商標や会社名が使用されている場合がありますが、それらの商標や会社名は、一切 Dell Inc. に帰属するものではありません。

目次

安全にお使いいただくための注意	81
安全について：システムのラックへの取り付け	81
取り付けに関する一般的なガイド	83
作業を開始する前に	83
安全に関する重要な注意	84
VersaRails のラック要件	84
ラックスタビライザ	84
推奨する工具および備品	84
ラックキットの内容	85
取り付け手順	86
ラック扉の取り外し	86
ラックへの印付け	87
スライドレールアセンブリの構成	89
ラックへのマウントレールの取り付け	90
RapidRails マウントレールの取り付け	90
VersaRails マウントレールの取り付け	92
ラックへのシステムの取り付け	94
ラックからのシステムの取り外し	96
ケーブルマネジメントアームの取り付け	96
ケーブルの配線	97
ケーブルマネジメントアームランプアセンブリの取り付け	99
ラック扉の取り付け	101


安全にお使いいただくための注意

ご自身の身体の安全を守り、システムおよび作業環境を保護するために、以下の安全に関するガイドラインに従ってください。安全および規制の詳細については、システムに付属の『製品情報ガイド』を参照してください。保証に関する情報は、『サービス&サポートのご案内』を参照してください。


安全について：システムのラックへの取り付け

ラックの安定性や安全性に関して、以下の点にご注意ください。また、特定の注意文および手順については、システムおよびラック付属のラック取り付けマニュアルを参照してください。

システムはラックの一部とみなします。したがって、「コンポーネント」には、さまざまな周辺機器やサポートハードウェアと同様に、システムも含まれます。

 **警告：**単体ラックでは正面と側面のスタビライザ、連結ラックでは正面のスタビライザを取り付けてからラックにシステムを取り付けてください。スタビライザを正しく取り付けずにシステムをラックに取り付けると、ラックが転倒し、けがをするおそれがあります。必ずスタビライザを取り付けてから、ラックにコンポーネントを取り付けてください。

ラックにシステム/コンポーネントを取り付けた後は、一度に複数のコンポーネントをラックのスライドアセンブリを使って引き出さないでください。重みでラックが転倒し、大けがをするおそれがあります。

 **メモ：**お使いのシステムは、独立型のユニットとして、また、カスタマーラックキットで構成される Dell ラックキャビネットに取り付けるコンポーネントとして、その安全性が保証されています。それ以外のラックキャビネットにシステムおよびラックキットを取り付ける場合は、安全性が保証されません。最終的に組み合わせたシステムおよびラックについては、ユーザーの責任において、適用される安全基準および地域の電気規約の要件に適合することを確認してください。デルでは、このような組み合わせに関連するいかなる保証責任も負いません。

- システムラックキットは、トレーニングを受けたサービス技術者がラックに取り付けます。キットを別のラックに取り付ける場合は、そのラックがデルのラック仕様に適合していることを確認してください。



警告：大型ラックを1人で移動しないでください。ラックの高さと重さを考慮して、少なくとも2人以上でラックを移動することをお勧めします。


- ラックで作業をする前に、スタビライザがラックに固定されて床面に伸び、ラックの全重量が床面にかかっていることを確認してください。ラックで作業をする前に、ラックが1つの場合は正面と側面のスタビライザ、複数のラックを連結する場合は正面のスタビライザを取り付けます。
- ラックには必ず下から上へと、最も重いものから順に設置してください。
- コンポーネントをラックから引き出す前に、ラックが水平で安定していることを確認してください。
- レールリリースラッチを押してコンポーネントをラックから出し入れするときは、スライドレールに指をはさまれないように注意してください。
- ラックに電力を送る AC 分岐回路に過重電流を流さないでください。ラックの総負荷が分岐回路定格の 80% を超えないようにしてください。
- ラック内のコンポーネントが十分に通気されることを確認してください。
- ラックに取り付けたコンポーネントの作業中に、他のコンポーネントの上に乗ったり、足をかけたりしないでください。


取り付けに関する一般的なガイド


本書は、ラックキャビネットに1台または複数のシステムを取り付ける作業を行う、トレーニングを受けたサービス技術者向けの手順書です。RapidRails™ 構成は、角型の穴を使用するメーカーのラックキャビネットに、工具を使わずに取り付けることができます。VersaRails™ 構成は、角型または丸型の穴を使用する、業界規格に適合しているほとんどのキャビネットに取り付けることができます。ラックキットは、ラックキャビネットに取り付けるシステム1台ごとに1セットずつ必要です。

作業を開始する前に

システムをラックに取り付ける作業を始める前に、81ページの「安全にお使いいただくための注意」と、『製品情報ガイド』に記載された安全に関する注意をよく読んでください。


 **警告：**複数のシステムをラックに取り付ける場合は、1台のシステムの取り付け手順を完了してから、次のシステムの取り付けに進んでください。


 **警告：**ラックキャビネットはサイズが非常に大きく重量もありますが、キャスターで簡単に移動できるようになっています。このキャスターにはブレーキがないため、ラックキャビネットを移動するときは十分な注意が必要です。ラックキャビネットを別の場所に移動するときは、水平調節用の脚を収納してください。長い傾斜面、急勾配のある場所、スロープなど、バランスが取りにくい場所にはキャビネットを設置しないでください。水平調節用の脚を伸ばしてキャビネットを支え、キャビネットが動かないようにしてください。

 **メモ：**システム自体の設置方法については、94ページの「ラックへのシステムの取り付け」を参照してください。


安全に関する重要な注意

システムをラックに取り付けるときは、次の各項の安全に関する注意を遵守してください。


 **警告：** 作業者は、自分自身と周囲の人々を保護するために、本書の手順に必ず従ってください。本システムは非常に重量があり大きいため、ご自身や周囲の人々のけがを防ぐために準備と計画を適切に行うことが重要です。これは、特にシステムをラックの高い位置に取り付ける場合に重要になります。

 **警告：** 別のシステム用に設計されたラックキットのコンポーネントは取り付けしないでください。お使いのシステム用のラックキットのみをお使いください。別のシステム用のラックキットを使用すると、システムが損傷し、ご自身や周囲の人々がけがをするおそれがあります。

VersaRails のラック要件

 **注意：** VersaRails ラックキットは、米国規格協会（ANSI）/ 米国電子工業会（EIA）規格 ANSI/EIA-310-D-92、国際電気標準会議（IEC）297、ドイツ工業規格（DIN）41494 の仕様を満たすラックについてトレーニングを受けたサービス技術者が取り付けるように設計されています。ラックキットは、ラックに取り付けるシステム 1 台につき 1 セット必要です。

ラックスタビライザ

 **警告：** 単体ラックでは正面と側面のスタビライザ、連結ラックでは正面のスタビライザを取り付けてからラックにシステムを取り付けてください。スタビライザを正しく取り付けずにシステムをラックに取り付けると、ラックが転倒し、けがをするおそれがあります。必ずスタビライザを取り付けてから、ラックにコンポーネントを取り付けてください。

スタビライザはラックの転倒を防ぎます。スタビライザを取り付けて床に固定する手順については、ラックキャビネットに付属のマニュアルを参照してください。


推奨する工具および備品

システムを 4 柱型ラックキャビネットに取り付ける際、以下の工具および備品が必要な場合があります。

- #2 プラスドライバ
- マスキングテープまたはフェルトペン（取り付け穴に印を付けるときに使用）

ラックキットの内容

- スライドアセンブリ 1 組
- ケーブルマネージメントアーム 1 本 (オプション)
- 左ケーブルマネージメントアームランプアセンブリ 1 個
- 右ケーブルマネージメントアームランプアセンブリ 1 個
- ステータスインジケータケーブル 1 本 (必要な場合)
- 10-32 x 0.5 インチフランジヘッドプラスネジ 8 本

 **メモ:** 図と手順の説明に示すメートル法規格以外のネジは、サイズとインチ当たりのネジ山数で表記されています。たとえば1インチに32本のネジ山がある #10 プラスネジは、10-32 ネジと表記します。


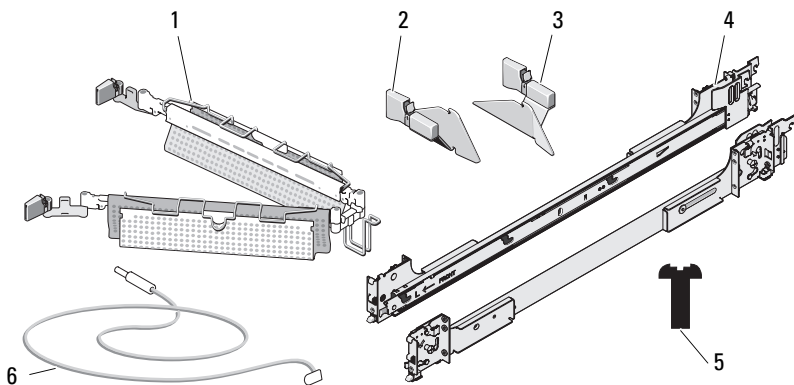
 **メモ:** 左右両方のケーブルマネージメントアームランプアセンブリは、図 1-1 にイラストがあります。CMA をラック背面に固定するには、ケーブルマネージメントアーム (CMA) の向きに応じて片方のランプアセンブリだけを使用します。詳細については、99 ページの「ケーブルマネージメントアームランプアセンブリの取り付け」を参照してください。

図 1-1 ラックキットの内容



- | | | | | | |
|---|------------------------|---|---------------------------------|---|-------------------------|
| 1 | ケーブルマネージメントアーム (オプション) | 2 | 左ケーブルマネージメントアームランプアセンブリ | 3 | 右ケーブルマネージメントアームランプアセンブリ |
| 4 | スライドアセンブリ | 5 | 10-32 x 0.5 インチフランジヘッドプラスネジ (8) | 6 | ステータスインジケータケーブル (必要な場合) |

取り付け手順



メモ：システムと一緒にケーブルマネジメントアーム（CMA）を注文された場合は、CMA の取り付け手順に従ってください。CMA を注文されなかった場合も、あとで注文される場合に備えて、この取り付けガイドを保管しておくことをお勧めします。

ラックキットを取り付けるには、次の手順（以降の各項で詳細を説明）を番号順に実行します。

- 1 ラック扉の取り外し
- 2 ラックへの印付け
- 3 スライドレールアセンブリの構成
- 4 ラックへのマウントレールの取り付け
 - RapidRails の取り付け
 - VersaRails の取り付け
- 5 ラックへのシステムの取り付け
- 6 ケーブルマネジメントアームの取り付け
- 7 ケーブルの配線
- 8 ケーブルマネジメントアームランプアセンブリの取り付け
- 9 ラック扉の取り付け

ラック扉の取り外し

ラックキャビネットに付属のマニュアルに記載されている扉の取り外し手順を参照してください。



警告：ラックキャビネットの扉の大きさと重さを考慮して、取り付けおよび取り外しは1人では行わないでください。



警告：取り外した扉は、不意に倒れてけがをしないような場所に保管してください。

ラックへの印付け

2 ラックユニット (2 U) システムでは、ラックに取り付ける各システム
の上下に、2 U (88 mm) の空間を空ける必要があります。

EIA-310 規格を満たすラックキャビネットには、1 ラックユニット (1 U)
ごとに 3 つの穴が交互に並んでいます。穴の中心から中心までの距離は、
前面および背面垂直レールの 1 U スペースの一番上の穴から計測して
15.9 mm、15.9 mm、12.7 mm となっています (図 1-2 を参照)。

ラックキャビネットの穴には丸型または角型があります。


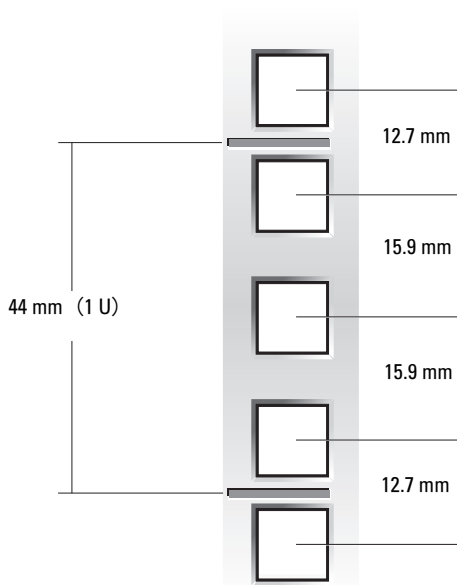

 **メモ**：垂直レールには、1 U 間隔の水平の線と数字で印が付いていること
があります。ラックの垂直レールについている印の番号を控える方法もあ
るので、ラックに印を付けたりテープを貼る作業は必須ではありません。

図 1-2 1 ラックユニット (1 U)

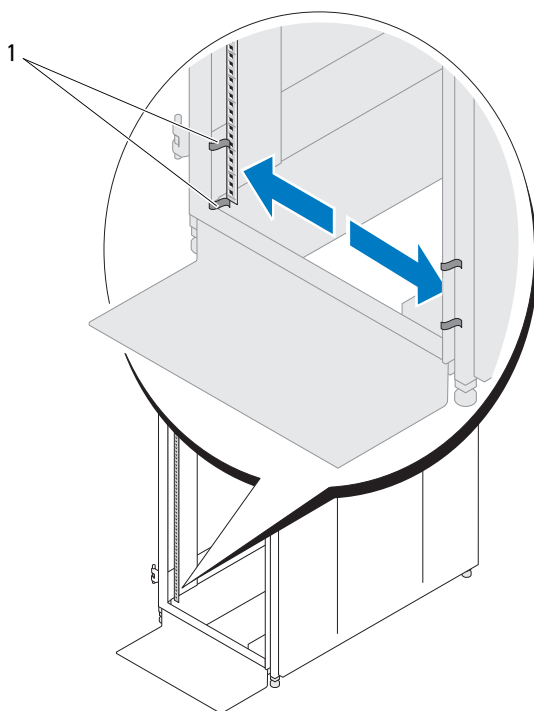


 **警告**：2 台以上のシステムを取り付ける場合は、ラックの使用可能な最下
段に 1 台目のシステムを取り付けられるようにマウントレールをセットし
てください。

ラックに印を付けるには、次の手順を実行します。

- 1 ラック前面の垂直レール上で、ラックキャビネットに取り付けるシステムの底部の位置を決め、フェルトペンまたはテープを使って印を付けます。底部にあたる各 1 U スペースの位置は、穴と穴の間が狭い方の金属部分の中央です（横線で印が付いているラックキャビネットもあります。図 1-3 を参照）。
- 2 最初に印を付けた場所から 88 mm 上（あるいは EIA-310 規格に適合したラックであれば、ラックの穴を上から 3 つ数えた場所）を決め、フェルトペンまたはマスキングテープを使ってラック前面の垂直レールに印を付けます（穴を数えた場合は一番上の穴の真上に印を付ける）。このマークまたはテープが、垂直レール上でシステムの上端が来る位置になります（図 1-3 を参照）。

図 1-3 垂直レールの印付け



1 垂直レールの印 (2)

スライドレールアセンブリの構成

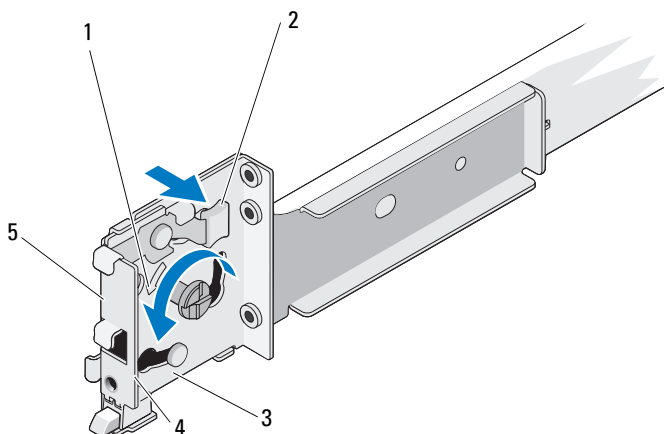
スライドレールアセンブリには、レールの両端に回転取り付けブラケットがあります。レールアセンブリが RapidRail または VersaRail のどちらとして使われるかは、ブラケットの位置によって決まります。ブラケットの RapidRail 側には、ブラケットを垂直レールに固定するフックとラッチがあります。ブラケットの VersaRail 側には 3 つの穴があり、ネジを使って垂直レールに取り付けるようになっています。

 **メモ**：ラックキットは、RapidRails 構成のスライドアセンブリに付属しています。

レールアセンブリのタイプを切り替えるには、以下の手順を実行します。

- 1 回転取り付けブラケットの青色のレバーを押し上げます (図 1-4 を参照)。
- 2 ブラケットを回転させ、スライドさせて 2 つの肩付き突起から取り外します。
- 3 肩付き突起が切り込みに再び入るまで、ブラケットをさらに 180 度回転させます。
- 4 所定の位置にカチッと合まるまで、ブラケットを反対方向に回転させます。


図 1-4 回転取り付けブラケットの位置の変更



- | | | |
|--|------------|-----------|
| 1 取り付けブラケットフランジ
(図は RapidRails バージョン) | 2 回転ブラケット | 3 リリースレバー |
| 4 肩付き突起 (2) | 5 切り込み (2) | |

ラックへのマウントレールの取り付け

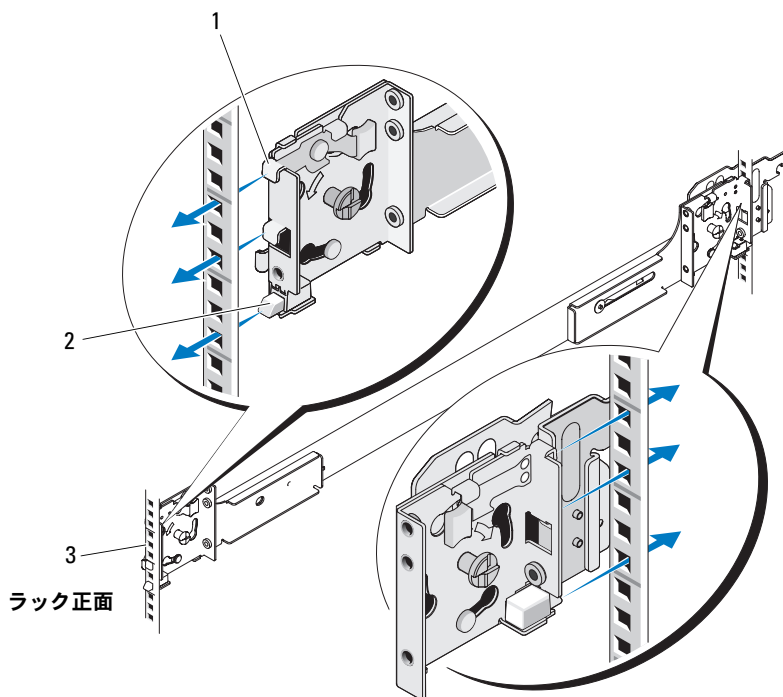
RapidRails マウントレールの取り付け

 **メモ**：スライドアセンブリ上の回転取り付けブラケットが RapidRail 構成になっていることを確認します。図 1-5 を参照してください。

- 1 ラックキャビネットの前面で、取り付けブラケットのフランジが、87 ページの「ラックへの印付け」の垂直レールに付けた印やテープの間のスペースに収まるように（または穴の数を数えて）、1 つ目のマウントレールの位置を合わせます（図 1-5 を参照）。


マウントレールの前面取り付けブラケットフランジの上部取り付けフックを、垂直レールに付けた印の間にある一番上の穴に差し込みます。

図 1-5 RapidRails マウントレールの取り付け



1 取り付けフック (4) 2 押しボタン (2) 3 マウントレール (2)

- 2 マウントレールを正面に向かって押して、上部取り付けフックを垂直レールの対応する角型の穴に差し込み、取り付けブラケットのフランジを下に押し付けて取り付けフックを穴に固定します。完全に固定されると押しボタンがカチッと飛び出します（図 1-5 を参照）。
- 3 キャビネットの背面で、取り付けブラケットのフランジを後ろに引いて、上部取り付けフックを対応する角型の穴に差し込み、フランジを下に押し付けて取り付けフックを穴に固定します。完全に固定されると押しボタンがカチッと飛び出します。
- 4 ラックの反対側のマウントレールで、手順 1～手順 3 を繰り返します。

 **メモ**：左右の垂直レールで、マウントレールが同じ高さに取り付けられていることを確認します。

VersaRails マウントレールの取り付け



メモ：スライドアセンブリ上の回転取り付けブラケットが VersaRail 構成になっていることを確認します。図 1-6 を参照してください。

- 1 ラックキャビネットの前面で、取り付けブラケットのフランジが、87 ページの「ラックへの印付け」の垂直レールに付けた印の間のスペースに収まるように（または穴の数を数えて）、1 つ目のマウントレールの位置を合わせます（図 1-6 を参照）。

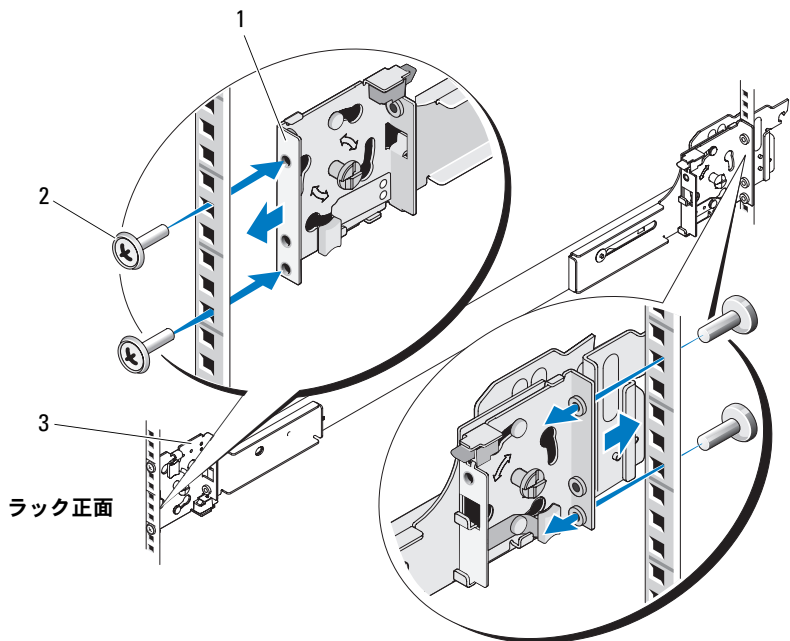
取り付けブラケットフランジの前面にある 3 個の穴を、前面垂直レールに付けた印の間の穴に合わせます。

- 2 2 本の 10-32 x 0.5 インチフランジヘッドプラスネジを取り付けブラケットフランジの上下の穴に差し込んで、マウントレールを前面垂直レールに固定します。
- 3 キャビネットの背面から、取り付けブラケットフランジを後ろに引いて、取り付け穴を背面垂直レールのそれぞれ対応する穴に合わせます。
- 4 2 本の 10-32 x 0.5 インチフランジヘッドプラスネジを取り付けブラケットフランジの上下の穴に差し込んで、マウントレールを背面垂直レールに固定します。
- 5 ラックの反対側のマウントレールで、手順 1 ~ 手順 4 を繰り返します。




メモ：左右の垂直レールで、マウントレールが同じ高さに取り付けられていることを確認します。


図 1-6 VersaRails マウントレールの取り付け



- | | | | | | |
|---|---------------|---|---|---|-------------|
| 1 | 取り付けブラケットフランジ | 2 | 10-32 x 0.5 インチフランジヘッドプラスネジ
(マウントレール1本につき4本) | 3 | マウントレール (2) |
|---|---------------|---|---|---|-------------|

ラックへのシステムの取り付け

 **警告：**複数のシステムを取り付ける場合は、1台目のシステムをラックの使用可能な最下段に取り付けてください。

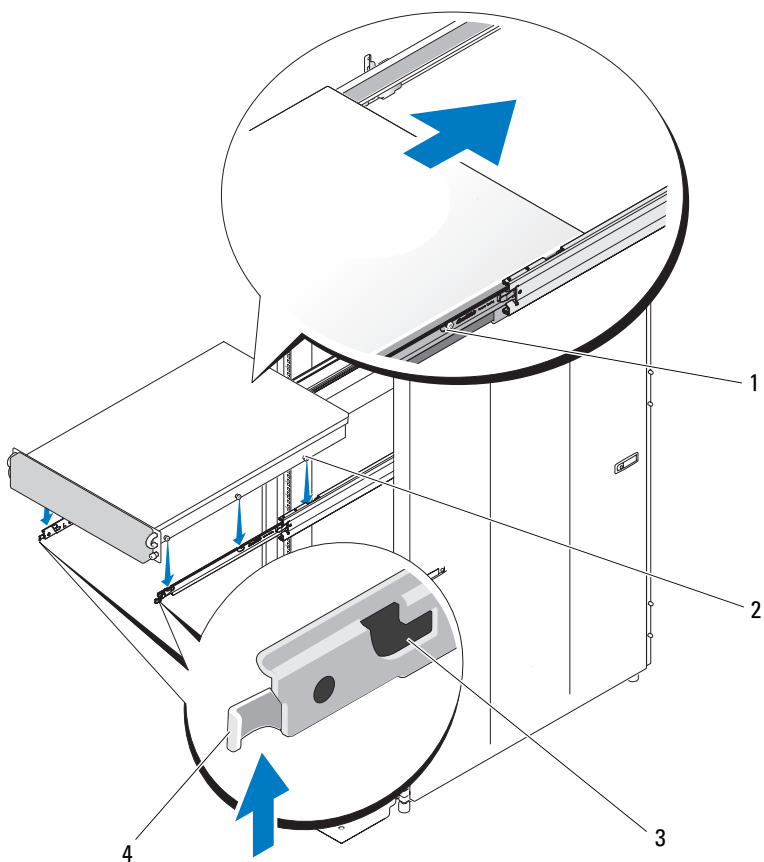
 **警告：**システムの大きさと重さを考慮して、マウントレールへのシステムの取り付けは1人では行わないでください。

- 1 2つの内部スライドレールをラックから引き出し、一番外側の位置でロックします。
- 2 スライドアセンブリに載せられる高さまでシステムを持ち上げます。システムの両側に3本ずつある肩付きネジを内部スライドアセンブリの対応するJスロット（図 1-7 を参照）に差し込みます。
- 3 システムの側面にある後部肩付きネジを、スライドアセンブリの背面Jスロットに合わせながら、システム背面を下げます。
- 4 後部肩付きネジをそれぞれのJスロットにはめ込みます。
- 5 システム前面を下げて、中央と前部の肩付きネジをスライドアセンブリのJスロットに差し込みます。

肩付きネジを前面スロットに差し込むと、内部スライドレールの前面にあるシステムリリースラッチが元の位置に戻ってカチッと固定されます。システムをスライドアセンブリから取り外すときは、このシステムリリースラッチを使用します。

- 6 各内部スライドの外側にあるスライドリリースラッチを押し、システムをラックに押し込みます。
- 7 ケーブルマネージメントアームの取り付け 96 ページの「ケーブルマネージメントアームの取り付け」を参照してください。
- 8 ラックの正面パネルにある蝶ネジを締めてスライドアセンブリをラックに固定します。

図 1-7 ラックへのシステムの取り付け



ラックからのシステムの取り外し

システムをラックから取り外すには、次の手順を実行します。

- 1 システムの電源を切り、システムに接続されている周辺機器の電源を切って、電源コンセントから抜きます。
- 2 I/O ケーブルコネクタと電源ケーブルコネクタを、システム背面パネルの各コネクタから取り外します。
- 3 正面シャーシパネルの両側でシステムのシャーシをラックに固定している蝶ネジを緩めます。
- 4 セーフティキャッチが掛かって止まるところまで、システムをラックから引き出します。
- 5 各レールのフロントリリースラッチを引き上げてセーフティキャッチを解除し（図 1-7 を参照）、システムを前に引き出します。
- 6 システムをラックから完全に引き出します。

ケーブルマネージメントアームの取り付け



メモ：システムと一緒にケーブルマネージメントアーム（CMA）を注文された場合は、CMA の取り付け手順に従ってください。CMA を注文されなかった場合も、あとで注文される場合に備えて、この取り付けガイドを保管しておくことをお勧めします。



メモ：ケーブルマネージメントアームは、ラックキャビネットの左右どちら側にも取り付けることができます。



メモ：ケーブルマネージメントアームランプアセンブリは、ケーブルマネージメントアームとは反対側に取り付けます。

- 1 ケーブルマネージメントアーム前端部のラッチをマウントレールの端のブラケットにはめ込み、カチッと音がするまで押し込みます（図 1-8 を参照）。
- 2 ケーブルマネージメントアームのまだ取り付けしていない一端のラッチをスライドアセンブリの端のブラケットにはめ込み、カチッと音がするまで押し込みます（図 1-8 を参照）。




警告：システムケーブルの配線は、ケーブルマネージメントアームの両端を接続してから行ってください。

- 必要に応じて、システムステータスインジケータケーブルをシステム背面パネルのコネクタに接続します。


システムステータスインジケータケーブルをケーブルマネージメントアームに通し、LED が付いた端をケーブルマネージメントアームの端のスロットに差し込み、所定の位置にカチッと収まるまで押し込みます。

- I/O ケーブルコネクタと電源ケーブルコネクタを、システム背面パネルの各コネクタに接続します。

ケーブル接続の詳細については、お使いのシステムの『はじめに』、または『ハードウェアオーナーズマニュアル』を参照してください。

 **メモ：**リテーナブラケットを電源の背面に取り付けて、電源ケーブルのストレインリリーフに役立てます。

- ケーブルをケーブルマネージメントアームのバンドに沿って配線します。
- ヒンジの動きを妨げないように、必要に応じてケーブルのたるみを調節し、タイラップでケーブルを固定します（図 1-9 を参照）。
- ケーブルバスケットを閉じます。
- システムをラックから引き出したりラックに押し戻したりして、ケーブルが正しく取り付けられているか、ケーブルマネージメントアームの動きでケーブルが絡まったり、引きつったりしないか、またはアームの動きが妨げられていないか確認します。必要に応じて、ケーブルマネージメントアームのバスケット内のケーブルの位置を調整します。

 **メモ：**システムを引き出せる限度まで引き出すと、伸びきった位置でスライドアセンブリにロックがかかります。ロックを解除するには、各スライドの側面にあるスライドリリースラッチを押しながら、システムをラックに押し込みます。

- ケーブルが正しく配線できたら、システムをラックに完全に押し込みます。

ケーブルマネージメントアームランプアセンブリの取り付け

ケーブルマネージメントアームランプアセンブリによって、ケーブルマネージメントアームが安定した水平な位置に誘導されます。ケーブルマネージメントアームランプアセンブリの取り付けは、次の手順で行います。

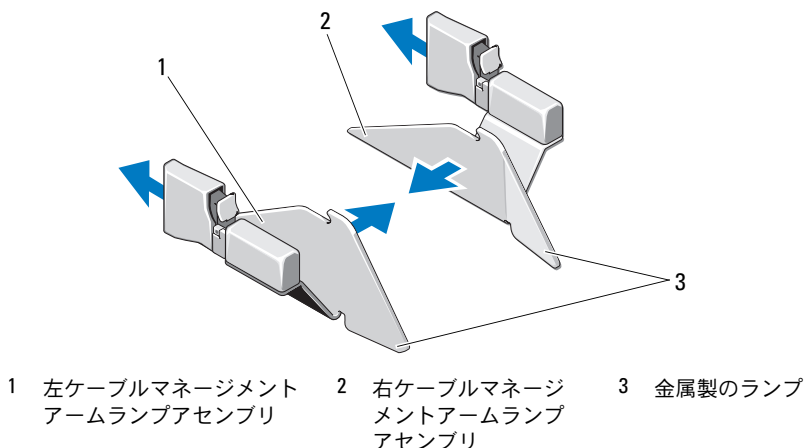
- 1 ケーブルマネージメントアームの向きに応じて、片方だけのランプアセンブリを選びます。
 - a 図 1-11 のようにケーブルマネージメントアームをラックの右側に取り付ける場合は、左ケーブルマネージメントアームランプアセンブリをラックに取り付けます (図 1-10 を参照)。
 - b ケーブルマネージメントアームをラックの左側に取り付ける場合は、右ケーブルマネージメントアームランプアセンブリをラックに取り付けます (図 1-10 を参照)。

警告: ケーブルマネージメントアームが時間の経過とともに弛むことを防ぐために、ケーブルマネージメントアームランプアセンブリを取り付ける必要があります。

メモ: ケーブルマネージメントアームランプアセンブリは、金属製のランプが必ずラックの内側を向くように取り付けてください (図 1-10 を参照)。

メモ: 図 1-10 は、システムの背面方向から見た図です。

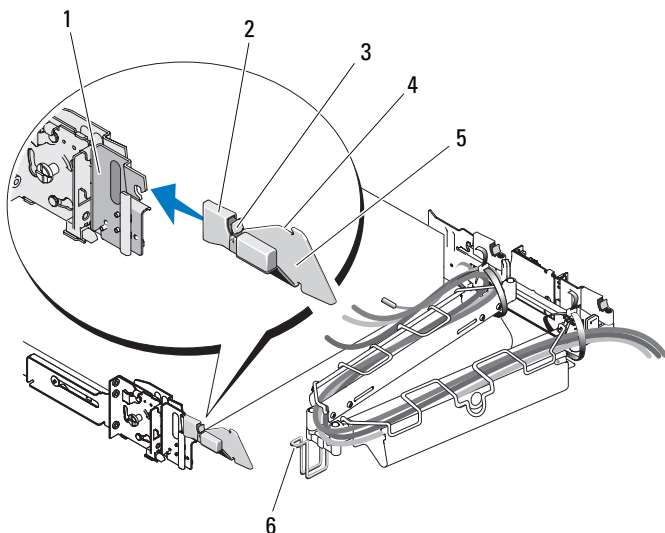
図 1-10 左/右ケーブルマネージメントアームランプアセンブリの向き



- 2 ラックの（ケーブルマネージメントアームを取り付けた箇所とは）反対側にあるランプアセンブリブラケットにランプアセンブリのラッチをはめ込みます（図 1-11 を参照）。
- 3 次の手順でケーブルマネージメントアームを所定の位置に挿入します。
 - a ケーブルマネージメントアームの屈曲部にあるランプアセンブリワイヤフォームガイドの位置を確認します。
 - b ランプアセンブリワイヤフォームガイドを持ち上げ、ランプの上のスライドさせ、ランプアセンブリの取付留め具のところで止めます。
 - c 正しいランプアセンブリを選んでいれば、ラックにシステムを差し替える度に、ワイヤフォームガイドは毎回ランプアセンブリ上部の留め具に正しく固定されます。図 1-11 は、ケーブルマネージメントアームを右側に取り付け、左のランプアセンブリを取り付けた状態を示しています。

ケーブルマネージメントアームランプアセンブリを外すには、ランプアセンブリラッチのランプアセンブリリリースボタンを押し、ランプアセンブリをブラケットから引き抜きます（図 1-11 を参照）。

図 1-11 ケーブルマネジメントアームランプアセンブリの取り付け



- | | | | | | |
|---|--------------------|---|---------------------------------------|---|-------------------------------------|
| 1 | ランプアセンブリ
ブラケット | 2 | ケーブルマネー
ジメントアーム
ランプアセン
ブリラッチ | 3 | ランプアセンブリ
リリースボタン |
| 4 | ランプアセンブリ
の取付留め具 | 5 | 左ケーブルマネー
ジメントアーム
ランプアセン
ブリ | 6 | ランプアセンブリ
ワイヤフォーム
ガイドアセン
ブリ |

メモ：図 1-11 では、ケーブルマネジメントアームがラックの右側に取り付けられ、左ケーブルマネジメントアームランプアセンブリがラックの左側に取り付けられています。逆に、ケーブルマネジメントアームをラックの左側に取り付ける場合は、右ケーブルマネジメントアームランプアセンブリをラックの右側に取り付けます。

ラック扉の取り付け

ラックに付属のマニュアルに記載されている扉の取り付け手順を参照してください。

警告：ラックキャビネットの扉の大きさと重さを考慮して、取り付けおよび取り外しは1人では行わないでください。

Guía de instalación del rack

Notas, avisos y precauciones



NOTA: una NOTA proporciona información importante que le ayudará a utilizar mejor el ordenador.



AVISO: un AVISO indica la posibilidad de daños en el hardware o la pérdida de datos, e informa de cómo evitar el problema.



PRECAUCIÓN: un mensaje de PRECAUCIÓN indica el riesgo de daños materiales, lesiones o incluso la muerte.

La información contenida en este documento puede modificarse sin previo aviso.

© 2007 Dell Inc. Reservados todos los derechos.

Queda estrictamente prohibida la reproducción de este documento en cualquier forma sin la autorización por escrito de Dell Inc.

Marcas comerciales utilizadas en este texto: *Dell*, el logotipo de *DELL*, *RapidRails* y *VersaRails* son marcas comerciales de Dell Inc.

Otras marcas y otros nombres comerciales pueden utilizarse en este documento para hacer referencia a las entidades que los poseen o a sus productos. Dell Inc. renuncia a cualquier interés sobre la propiedad de marcas y nombres comerciales que no sean los suyos.

Contenido

Instrucciones de seguridad	107
SEGURIDAD: Montaje de sistemas en rack	107
Instrucciones generales de instalación	108
Antes de comenzar	109
Información de seguridad importante	109
Requisitos del rack para VersaRails	109
Pies estabilizadores del rack	110
Herramientas y material recomendados	110
Contenido del kit de rack	110
Tareas de instalación	111
Extracción de las puertas del rack	112
Marcado del rack	112
Configuración de los ensamblajes de rieles deslizantes	115
Instalación de los rieles de montaje en el rack	116
Instalación de los rieles de montaje RapidRails	116
Instalación de los rieles de montaje VersaRails	118

Instalación del sistema en el rack	120
Extracción del sistema del rack	122
Instalación del brazo para tendido de cables	122
Cableado	123
Fijación del conjunto de rampa del brazo para tendido de cables	125
Colocación de las puertas del rack	127

Instrucciones de seguridad

Siga estas pautas de seguridad para garantizar su propia seguridad y proteger el sistema y el entorno de trabajo frente a posibles daños. Para obtener información completa sobre seguridad y normativas, consulte la *Guía de información del producto* que se entrega con el sistema. La información sobre la garantía puede estar incluida en este documento o constar en un documento aparte.

SEGURIDAD: Montaje de sistemas en rack

Tenga en cuenta las precauciones siguientes para garantizar la estabilidad y la seguridad del rack. Consulte también la documentación de instalación del rack incluida con el sistema y el rack para ver los procedimientos y la información de precaución.

Los sistemas se consideran componentes de un rack. Por lo tanto, “componente” se refiere a cualquier sistema, así como a los distintos periféricos o al hardware de soporte.



PRECAUCIÓN: antes de instalar sistemas en un rack, instale los estabilizadores frontales y laterales para racks individuales, o bien los estabilizadores frontales para varios racks unidos. Si no se instalan estabilizadores antes de realizar el montaje de los sistemas, el rack puede volcarse, y ello puede producir lesiones personales. Por lo tanto, instale siempre los estabilizadores antes de instalar los componentes en el rack.

Una vez que haya instalado el sistema o los componentes en el rack, no extraiga nunca del rack más de un componente a la vez por sus ensamblajes deslizantes. El peso de más de un componente extendido puede hacer que vuelque el rack y producir lesiones graves.



NOTA: este sistema está homologado en cuanto a seguridad como unidad independiente y como componente para uso en un armario rack Dell utilizando el kit de rack del cliente. La instalación del sistema y el kit de rack en cualquier otro armario rack no ha sido aprobada por ninguna agencia de seguridad. Es su responsabilidad asegurarse de que la combinación final de sistema y rack cumpla los estándares de seguridad correspondientes y los requisitos de códigos de electricidad locales. Dell declina toda responsabilidad y garantía relacionadas con tales combinaciones.

- Los kits de rack están concebidos para ser montados en un rack por técnicos de servicio cualificados. Si instala el kit en cualquier otro rack, asegúrese de que éste cumpla las especificaciones de un rack Dell.



PRECAUCIÓN: no mueva los racks sin la ayuda de otra persona. Debido a la altura y al peso del rack, se recomienda un mínimo de dos personas para realizar dicha tarea.

- Antes de realizar cualquier operación en el rack, asegúrese de que los estabilizadores estén fijados al rack, que lleguen hasta el suelo y que todo el peso del rack descansa sobre el suelo. Instale los estabilizadores frontales y laterales para un único rack, o los estabilizadores frontales para varios racks unidos.
- Cargue siempre el rack desde la parte inferior hacia arriba, colocando en primer lugar el elemento más pesado.
- El rack debe estar nivelado y estabilizado antes de extraer un componente.
- Tenga cuidado al presionar los pestillos de liberación de los rieles de componentes y al extraer o introducir un componente del rack, puesto que sus dedos pueden quedar aprisionados en los rieles deslizantes.
- No sobrecargue el circuito de alimentación de CA que suministra energía al rack. La carga total del rack no debe ser superior al 80 por ciento de la corriente nominal del circuito.
- Los componentes del rack deben disponer de una ventilación suficiente.
- No suba sobre ningún componente ni lo utilice como escalón para realizar operaciones en los componentes de un rack.

Instrucciones generales de instalación

En esta guía de instalación se proporcionan instrucciones para técnicos de servicio especializados que instalen uno o más sistemas en un armario rack. La configuración RapidRails™ se puede instalar sin herramientas en todos los armarios rack del fabricante que tengan orificios cuadrados, y la configuración VersaRails™ se puede instalar en la mayoría de los armarios rack estándar que tengan orificios cuadrados o redondos. Para cada sistema que se montará en el armario rack se precisa un kit de rack.

Antes de comenzar

Antes de montar el sistema en el rack, lea detenidamente la sección “Instrucciones de seguridad” en la página 107 y las instrucciones de seguridad que se incluyen en la *Guía de información del producto* para obtener información adicional.



PRECAUCIÓN: cuando instale varios sistemas en un rack, realice todos los procedimientos para el sistema actual antes de instalar el sistema siguiente.



PRECAUCIÓN: los armarios rack pueden ser muy pesados, pero se mueven con facilidad gracias a las ruedas. Dichos armarios no tienen frenos. Tenga el máximo cuidado cuando mueva el armario rack. Cuando traslade el armario rack, pliegue primero los pies niveladores. Evite rampas o inclinaciones largas o pronunciadas para evitar perder el control del armario. Extienda los pies niveladores como apoyo y para evitar que el armario se desplace.



NOTA: para obtener instrucciones sobre la instalación del sistema, consulte “Instalación del sistema en el rack” en la página 120.

Información de seguridad importante

Cuando instale el sistema en el rack, tenga en cuenta las precauciones de seguridad que se indican en las subsecciones siguientes.



PRECAUCIÓN: debe seguir estrictamente los procedimientos que se explican en este documento para protegerse a sí mismo y a otras personas que puedan verse involucradas. El sistema puede tener un tamaño y un peso considerables, por lo que la preparación y la planificación adecuadas son importantes para evitar lesiones personales a uno mismo y a terceros. Esto es incluso más importante cuando los sistemas se instalan en la parte superior del rack.




PRECAUCIÓN: no instale componentes del kit de rack diseñados para otro sistema. Utilice únicamente el kit de rack para su sistema. Si utiliza un kit de rack para otro sistema, pueden producirse daños en el sistema y lesiones personales.

Requisitos del rack para VersaRails



AVISO: el kit de rack VersaRails lo deben montar únicamente técnicos de servicio cualificados en un rack que cumpla las especificaciones siguientes: ANSI/EIA-310-D-92, IEC 297 y DIN 41494. Se precisa un kit de rack para cada sistema que se instale en el rack.

Pies estabilizadores del rack

 **PRECAUCIÓN:** antes de instalar sistemas en un rack, instale los estabilizadores frontales y laterales para racks individuales, o bien los estabilizadores frontales para varios racks unidos. Si no se instalan estabilizadores antes de realizar el montaje de los sistemas, el rack puede volcarse, y ello puede producir lesiones personales. Por lo tanto, instale siempre los estabilizadores antes de instalar los componentes en el rack.

Los pies estabilizadores ayudan a evitar que vuelque el rack. Consulte la documentación que se facilita con el armario rack para obtener instrucciones sobre la instalación y la fijación de los pies estabilizadores.

Herramientas y material recomendados

Para instalar el sistema en un armario rack de cuatro postes, necesita los elementos siguientes:

- Destornillador Phillips del nº 2
- Cinta adhesiva o rotulador de punta de fieltro para marcar los orificios de montaje que se utilizarán

Contenido del kit de rack

- Un par de ensamblajes deslizantes
- Un brazo para tendido de cables (opcional)
- Un conjunto de rampa del brazo para tendido de cables izquierdo
- Un conjunto de rampa del brazo para tendido de cables derecho
- Un cable de indicador de estado (si procede)
- Ocho tornillos Phillips con arandela 10-32 x 0,5 pulgadas

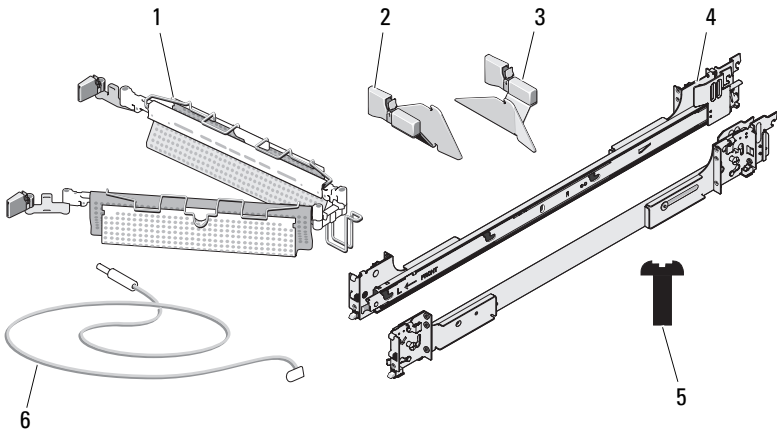


NOTA: los tornillos no métricos que se describen en las ilustraciones y en los procedimientos se identifican por el tamaño y el número de roscas por pulgada. Por ejemplo, un tornillo Phillips del nº 10 con 32 roscas por pulgada se identifica como un tornillo 10-32.



NOTA: en la figura 1-1 se ilustran los conjuntos de rampa del brazo para tendido de cables izquierdo y derecho. Según la orientación del brazo para tendido de cables (CMA), sólo utilizará un conjunto de rampa para asegurar el CMA a la parte posterior del rack. Para obtener más información, consulte "Fijación del conjunto de rampa del brazo para tendido de cables" en la página 125.

Figura 1-1. Contenido del kit de rack



- | | | | | | |
|---|---|---|--|---|--|
| 1 | Brazo para tendido de cables (opcional) | 2 | Conjunto de rampa del brazo para tendido de cables izquierdo | 3 | Conjunto de rampa del brazo para tendido de cables derecho |
| 4 | Ensamblajes deslizantes | 5 | 8 tornillos Phillips con arandela 10-32 x 0,5 pulgadas | 6 | Cable de indicador de estado (si procede) |

Tareas de instalación



NOTA: siga los pasos para instalar el brazo para tendido de cables (CMA), si ha solicitado un CMA con el sistema. Si no ha solicitado un CMA, Dell le recomienda que conserve la documentación para instalar esta función en caso de que quiera solicitar un CMA en otro momento.


La instalación del kit de rack implica realizar las tareas siguientes (que se describen en detalle en las secciones siguientes) en el orden indicado:

- 1 Extracción de las puertas del rack
- 2 Marcado del rack
- 3 Configuración de los ensamblajes de rieles deslizantes
- 4 Instalación de los rieles de montaje en el rack
 - Instalación de RapidRails
 - Instalación de VersaRails

- 5 Instalación del sistema en el rack
- 6 Instalación del brazo para tendido de cables
- 7 Cableado
- 8 Fijación del conjunto de rampa del brazo para tendido de cables
- 9 Colocación de las puertas del rack

Extracción de las puertas del rack

Para extraer las puertas, consulte los procedimientos correspondientes en la documentación suministrada con el armario rack.

 **PRECAUCIÓN:** debido al tamaño y el peso de las puertas del armario rack, nunca debe intentar montarlas ni desmontarlas una sola persona.

 **PRECAUCIÓN:** guarde las puertas en un lugar en el que no puedan lesionar a nadie en caso de caer accidentalmente.

Marcado del rack

Para un sistema 2-U, debe asignar 2 U (88 mm) de espacio vertical para cada sistema que instale en el rack.

Los armarios rack que cumplen los estándares EIA-310 tienen un patrón alterno de tres orificios por unidad de rack con un espacio entre orificios de centro a centro (empezando por el orificio superior de un espacio 1-U) de 15,9 mm, 15,9 mm y 12,7 mm para los rieles verticales frontal y posterior (vea la figura 1-2). Los armarios rack pueden tener orificios redondos o cuadrados.


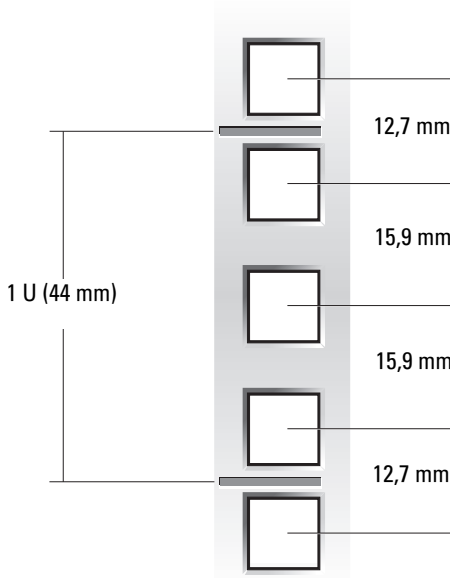
 **NOTA:** los rieles verticales se pueden marcar con líneas horizontales y números a incrementos de 1-U. Si lo desea, puede señalar el número realizando una marca en el riel vertical del rack. No es necesario marcar ni colocar cinta en el rack.

Figura 1-2. Una unidad de rack

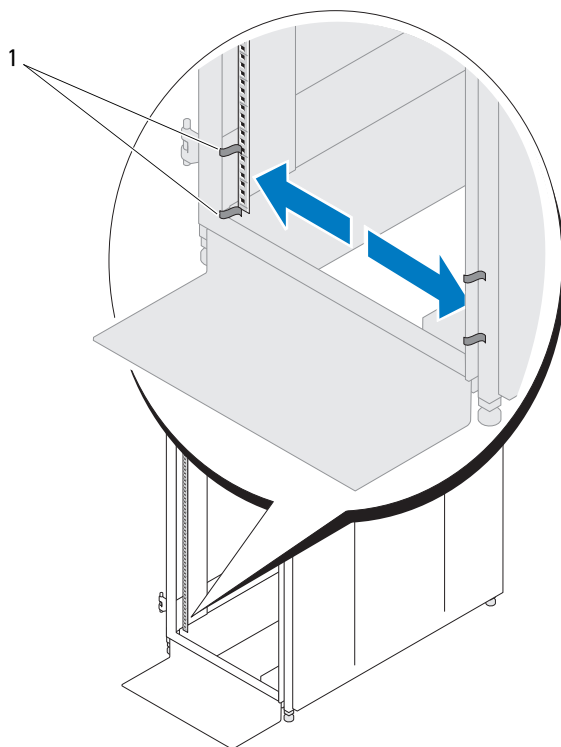


⚠ PRECAUCIÓN: si va a instalar más de un sistema, instale los rieles de montaje de modo que el primer sistema quede instalado en la posición más baja disponible en el rack.

Para marcar el rack, realice los pasos siguientes:

- 1 Coloque una marca (o una cinta) en los rieles verticales frontales del rack en los que desee colocar la parte inferior del sistema que está instalando en el rack. La parte inferior de cada espacio 1-U se encuentra en el centro de la zona metálica más estrecha entre orificios (marcados con una línea horizontal en algunos armarios rack; vea la figura 1-3).
- 2 Coloque una marca unos 88 mm por encima de la marca original que ha realizado (o cuente tres orificios en un rack que cumpla los estándares EIA-310) y marque los rieles verticales frontales del rack con un rotulador de punta de fieltro o con cinta adhesiva (si ha contado los orificios, coloque una marca justo encima del orificio superior). Esta marca o trozo de cinta indica dónde se va a situar el borde superior del sistema en los rieles verticales (vea la figura 1-3).

Figura 1-3. Marcado de los rieles verticales



1 Marcas en el riel vertical (2)

Configuración de los ensamblajes de rieles deslizantes

El ensamblaje de rieles deslizantes presenta un soporte de montaje giratorio en cada extremo del riel. La posición del soporte determina si el ensamblaje de rieles se utiliza como RapidRail o como VersaRail. El lado RapidRail del soporte tiene un gancho y un pestillo que lo fijan al riel vertical. El lado VersaRail del soporte tiene tres orificios y se fija al riel vertical mediante tornillos.

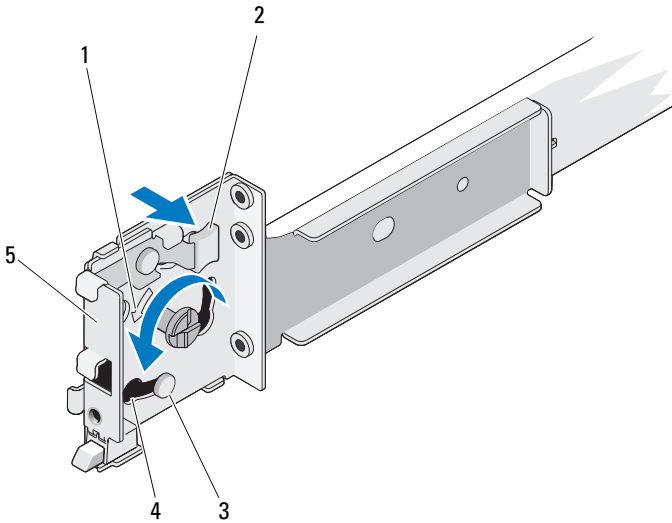


NOTA: el kit de rack se suministra con los ensamblajes deslizantes en la configuración RapidRails.

Para cambiar de un tipo de ensamblaje de rieles a otro:

- 1 Levante la palanca azul del soporte de montaje giratorio (vea la figura 1-4).
- 2 Gire el soporte y levántelo para sacarlo de los topes.
- 3 Continúe girando el soporte 180 grados hasta que pueda volver a colocar las muescas sobre los topes.
- 4 Gire el soporte en el sentido contrario hasta que se asiente en su lugar.

Figura 1-4. Cambio de la posición del soporte de montaje giratorio



- | | | | | | |
|---|--|---|-------------------|---|-----------------------|
| 1 | Superficie de montaje del soporte (versión RapidRails) | 2 | Soporte giratorio | 3 | Palanca de liberación |
| 4 | Topes (2) | 5 | Muecas (2) | | |

Instalación de los rieles de montaje en el rack

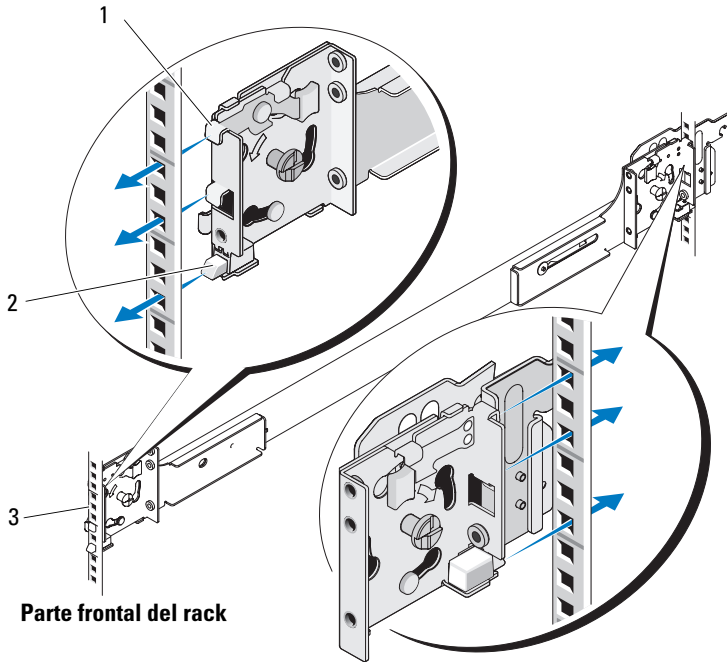
Instalación de los rieles de montaje RapidRails

NOTA: asegúrese de que los soportes de montaje giratorios de los ensamblajes deslizantes se encuentran en la configuración RapidRail. Vea la figura 1-5.

- 1 En la parte frontal del armario rack, coloque uno de los rieles de montaje de forma que la superficie de montaje del soporte quede situada entre las marcas o la cinta que ha colocado (o las posiciones numeradas) en los rieles verticales en la sección “Marcado del rack” en la página 112 (vea la figura 1-5).

El gancho de montaje superior de la superficie de montaje del soporte delantero debe encajar en el orificio superior entre las marcas realizadas en los rieles verticales.

Figura 1-5. Instalación de los rieles de montaje RapidRails



1 Ganchos de montaje (4) 2 Pulsadores (2) 3 Rieles de montaje (2)

- 2 Empuje hacia delante el riel de montaje hasta que los ganchos de montaje entren en los orificios cuadrados correspondientes. A continuación, presione hacia abajo la superficie de montaje del soporte hasta que los ganchos de montaje queden encajados y el botón de presión salga y se oiga un clic (vea la figura 1-5).
- 3 En la parte posterior del armario, deslice hacia atrás la superficie de montaje del soporte hasta que los ganchos de montaje entren en los orificios cuadrados y, a continuación, empuje hacia abajo la superficie hasta que los ganchos de montaje queden encajados y se expulse el pulsador (se oirá un clic).
- 4 Repita del paso 1 al paso 3 para el riel de montaje del otro lado del rack.



NOTA: asegúrese de que los rieles de montaje estén montados en la misma posición vertical en ambos lados del rack.

Instalación de los rieles de montaje VersaRails



NOTA: asegúrese de que los soportes de montaje giratorios de los ensamblajes deslizantes se encuentran en la configuración VersaRail. Vea la figura 1-6.

- 1 En la parte frontal del armario rack, coloque uno de los rieles de montaje de forma que la superficie de montaje del soporte quede situada entre las marcas que ha colocado (o las posiciones numeradas) en los rieles verticales en la sección “Marcado del rack” en la página 112 (vea la figura 1-6).

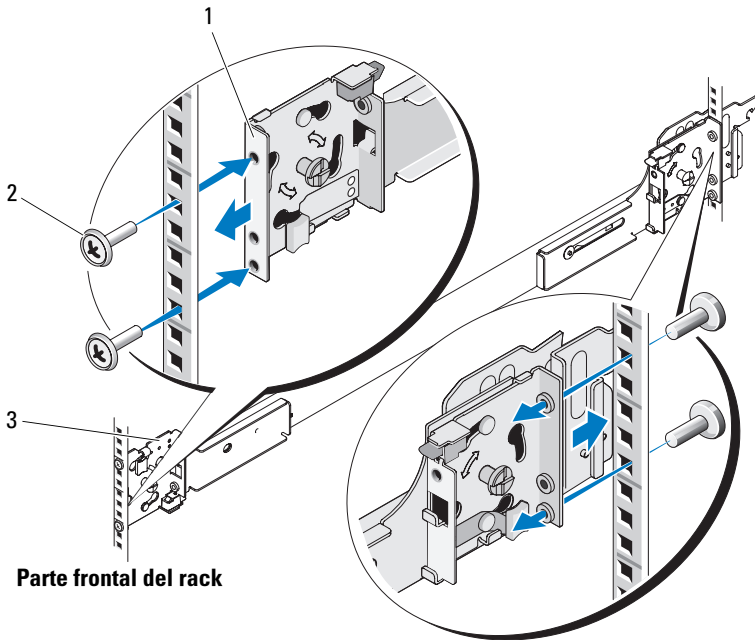
Los tres orificios de la parte frontal de la superficie de montaje del soporte deben alinearse con los orificios situados entre las marcas realizadas en el riel vertical frontal.

- 2 Coloque dos tornillos Phillips con arandela 10-32 x 0,5 pulgadas en los orificios superior e inferior de la superficie de montaje del soporte para fijar el riel de montaje al riel vertical frontal.
- 3 En la parte posterior del armario, deslice hacia atrás la superficie de montaje del soporte hasta que los orificios de montaje se alineen con los orificios correspondientes en el riel vertical posterior.
- 4 Coloque dos tornillos Phillips con arandela 10-32 x 0,5 pulgadas en los orificios superior e inferior de la superficie de montaje del soporte para fijar el riel de montaje al riel vertical posterior.
- 5 Repita del paso 1 al paso 4 para el riel de montaje del otro lado del rack.



NOTA: asegúrese de que los rieles de montaje estén montados en la misma posición en los rieles verticales de ambos lados del rack.


Figura 1-6. Instalación de los rieles de montaje VersaRails



- | | | | | | |
|---|-----------------------------------|---|--|---|-----------------------|
| 1 | Superficie de montaje del soporte | 2 | Tornillos Phillips con arandela 10-32 x 0,5 pulgadas (4 por riel de montaje) | 3 | Rieles de montaje (2) |
|---|-----------------------------------|---|--|---|-----------------------|

Instalación del sistema en el rack

 **PRECAUCIÓN:** si va a instalar más de un sistema, instale el primero en la posición más baja disponible en el rack.

 **PRECAUCIÓN:** debido al tamaño y el peso del sistema, no intente nunca instalarlo en los rieles de montaje usted solo.

- 1 Tire de los dos rieles deslizantes internos hacia fuera del rack hasta que queden totalmente extendidos.
- 2 Levante el sistema hasta su posición en la parte superior de los ensamblajes deslizantes extendidos.

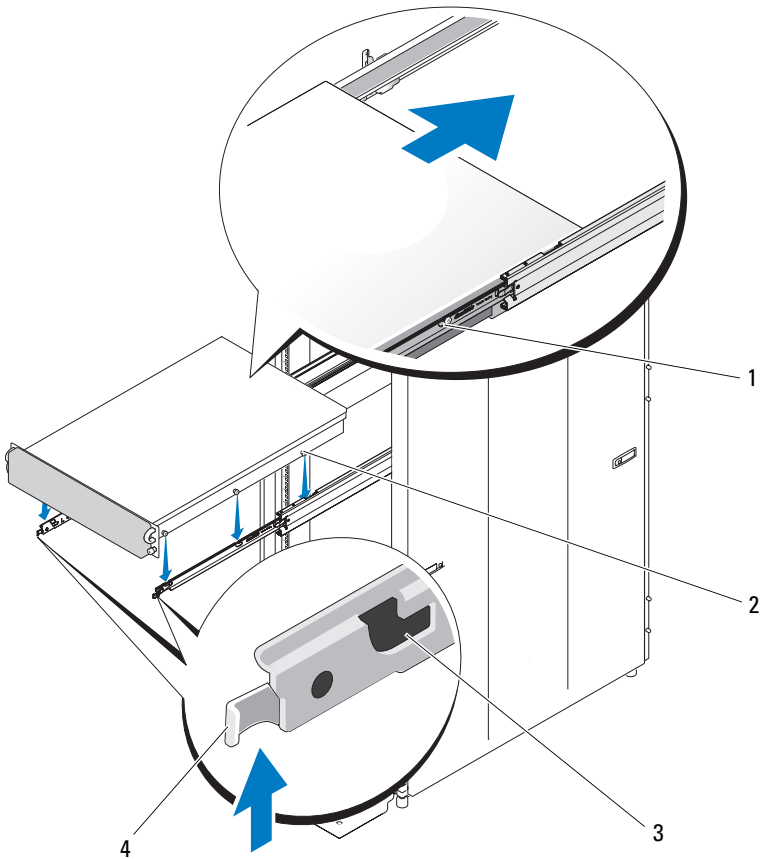
Los tres tornillos de pivote de los lados del sistema encajan en las ranuras J correspondientes (vea detalles en la figura 1-7) de los ensamblajes deslizantes internos.

- 3 Baje la parte posterior del sistema alineando los tornillos de pivote posteriores situados en los lados del sistema con las ranuras J posteriores de los ensamblajes deslizantes.
- 4 Coloque los tornillos de pivote posteriores en sus respectivas ranuras J.
- 5 Baje la parte frontal del sistema y encaje los tornillos de pivote centrales y frontales en sus respectivas ranuras J de los ensamblajes deslizantes.

El pestillo de liberación del sistema de la parte frontal del riel deslizante interno encajará en su sitio cuando el tornillo de pivote encaje en la ranura frontal. Utilice el pestillo de liberación del sistema cuando desee extraer el sistema de los ensamblajes deslizantes.

- 6 Presione el pestillo de liberación deslizante de la parte exterior de cada riel deslizante interno y, a continuación, inserte el sistema en el rack.
- 7 Instale el brazo para tendido de cables. Consulte “Instalación del brazo para tendido de cables” en la página 122.
- 8 Apriete los tornillos mariposa del panel frontal del rack para fijar los ensamblajes deslizantes al rack.

Figura 1-7. Instalación del sistema en el rack



1 Pestillo de liberación deslizante

2 Tornillos de pivote (6)

3 Ranuras J (6)

4 Pestillo de liberación frontal

Extracción del sistema del rack

Para extraer el sistema del rack, realice el procedimiento siguiente:

- 1 Apague el sistema y los dispositivos periféricos conectados, y desconecte el sistema de la toma eléctrica.
- 2 Desenchufe los conectores de cable de E/S y de cable de alimentación de sus conectores respectivos en el panel posterior del sistema.
- 3 Afloje los tornillos mariposa de ambos lados del panel frontal del chasis que fija el sistema al rack.
- 4 Tire del sistema para extraerlo del rack hasta que se detenga debido al retén de seguridad.
- 5 Tire hacia arriba del pestillo de liberación frontal de cada riel para desencajar el retén de seguridad (vea la figura 1-7) y deslice el sistema hacia delante.
- 6 Extraiga completamente el sistema del rack.

Instalación del brazo para tendido de cables



NOTA: siga los pasos para instalar el brazo para tendido de cables (CMA), si ha solicitado un CMA con el sistema. Si no ha solicitado un CMA, Dell le recomienda que conserve la documentación para instalar esta función en caso de que quiera solicitar un CMA en otro momento.



NOTA: puede fijar el brazo para tendido de cables en cualquiera de los lados del armario rack.



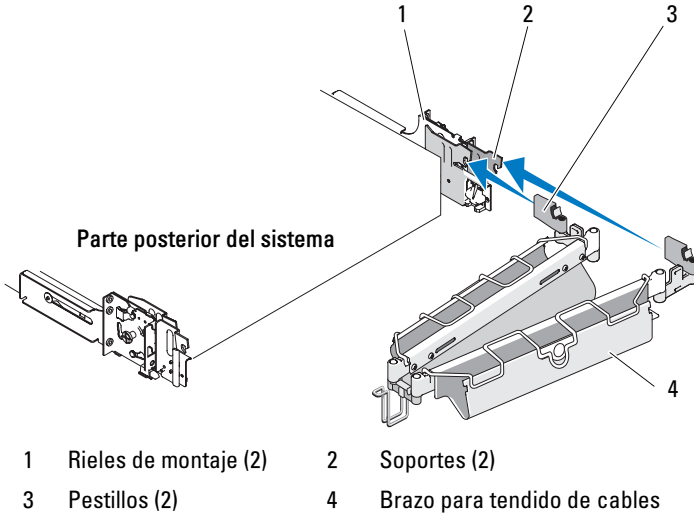
NOTA: fije el conjunto de rampa del brazo para tendido de cables en el lado en el que no haya fijado el brazo para tendido de cables.

- 1 Encaje el pestillo del extremo frontal del brazo para tendido de cables en el soporte del extremo del riel de montaje hasta que se oiga un clic (vea la figura 1-8).
- 2 Encaje el pestillo del extremo sin fijar del brazo para tendido de cables en el soporte del extremo del ensamblaje deslizante hasta que se oiga un clic (vea la figura 1-8).



PRECAUCIÓN: es preciso conectar ambos extremos del brazo para tendido de cables antes de empezar a colocar los cables del sistema.

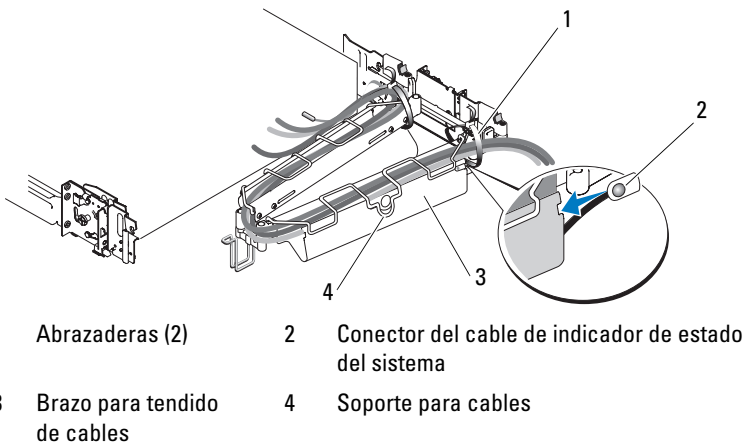
Figura 1-8. Instalación del brazo para tendido de cables



Cableado

- 1 Abra el soporte para cables de la parte superior del brazo para tendido de cables para poder colocar los cables en los brazos (vea la figura 1-9).


Figura 1-9. Cableado en el brazo para tendido de cables




- 2 Si procede, conecte el cable de indicador de estado del sistema en su conector del panel posterior del sistema.
Pase el cable de indicador de estado del sistema por el brazo para tendido de cables e inserte el extremo LED en la ranura del extremo del brazo para tendido de cables hasta que encaje en su sitio.

- 3 Enchufe los conectores de cable de E/S y de cable de alimentación en sus conectores respectivos del panel posterior del sistema.

Para obtener más información sobre las conexiones de los cables, consulte la *Guía de introducción* del sistema o el *Manual del propietario del hardware*.

 **NOTA:** utilice los soportes de retención situados en la parte posterior de las fuentes de alimentación para liberar la tensión de los cables de alimentación.

- 4 Pase los cables por el codo del brazo para tendido de cables.
- 5 Realice los ajustes de holgura necesarios en los cables en las posiciones de las bisagras y fije los cables con las abrazaderas (vea la figura 1-9).
- 6 Cierre el soporte para cables.
- 7 Deslice el sistema dentro y fuera del rack para comprobar que los cables estén colocados correctamente y que no queden doblados o estirados ni interfieran con el movimiento del brazo para tendido de cables. Ajuste los cables en el interior del brazo para tendido de cables según sea necesario.

 **NOTA:** si extrae el sistema hasta la posición máxima, los ensamblajes deslizantes quedarán bloqueados en la posición extendida. Para desbloquearlos, presione el pestillo de liberación deslizante del lateral de cada ensamblaje deslizante y, a continuación, inserte el sistema en el rack.

- 8 Cuando haya comprobado que los cables están colocados correctamente, inserte el sistema totalmente en el rack.

Fijación del conjunto de rampa del brazo para tendido de cables

El conjunto de rampa guía al brazo para tendido de cables para que quede situado en una superficie plana y estable. Para fijar el conjunto de rampa del brazo para tendido de cables:

- 1 Seleccione sólo uno de los conjuntos de rampa, según la orientación del brazo para tendido de cables.
 - a Si el brazo para tendido de cables está fijado a la parte derecha del rack (como se muestra en la figura 1-11), fije el conjunto de rampa izquierdo al rack (vea la figura 1-10).
 - b Si el brazo para tendido de cables está fijado a la parte izquierda del rack, fije el conjunto de rampa derecho al rack (vea la figura 1-10).



PRECAUCIÓN: el conjunto de rampa del brazo para tendido de cables debe estar instalado para evitar que el brazo para tendido de cables se combe a largo plazo.

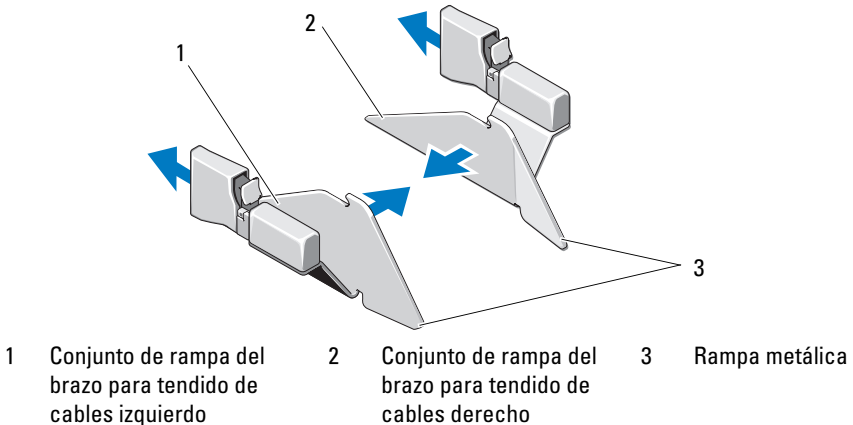


NOTA: asegúrese de que utiliza el conjunto de rampa del brazo para tendido de cables con la rampa metálica orientada hacia el centro del rack (vea la figura 1-10).



NOTA: en la orientación que se muestra en la figura 1-10 se presupone que el usuario está frente a la parte posterior del sistema.

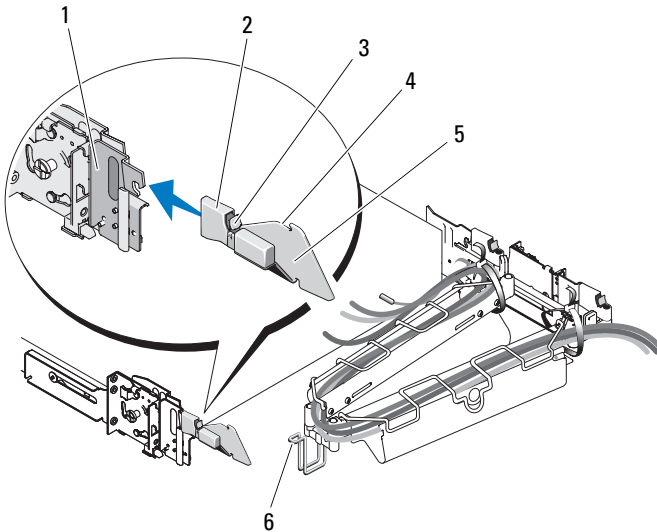
Figura 1-10. Orientación del conjunto de rampa del brazo para tendido de cables izquierdo o derecho



- 2** Ajuste el pestillo del conjunto de rampa en el soporte del conjunto de rampa, que se encuentra en el lado opuesto del rack desde el que ha fijado el brazo para tendido de cables (vea la figura 1-11).
- 3** Para deslizar el brazo para tendido de cables hasta su posición:
 - a** Busque la guía de alambre para el conjunto de rampa en el codo del brazo para tendido de cables.
 - b** Levante y deslice la guía de alambre hacia arriba hasta llegar al retén de asentamiento del conjunto de rampa.
 - c** Si ha seleccionado el conjunto de rampa adecuado, la guía de alambre quedará encajada correctamente en el retén de la parte superior del conjunto de rampa cada vez que se apague y se encienda el sistema en el rack. En la figura 1-11 se muestra el conjunto de rampa izquierdo instalado con el brazo para tendido de cables fijado a la derecha.

Para desencajar el conjunto de rampa, presione el botón de liberación del pestillo del conjunto de rampa y extraiga el conjunto de rampa del soporte (vea la figura 1-11).

Figura 1-11. Instalación del conjunto de rampa del brazo para tendido de cables



- | | | |
|---|---|---|
| 1 Soporte del conjunto de rampa | 2 Pestillo del conjunto de rampa del brazo para tendido de cables | 3 Botón de liberación del conjunto de rampa |
| 4 Retén de asentamiento del conjunto de rampa | 5 Conjunto de rampa del brazo para tendido de cables izquierdo | 6 Guía de alambre para el conjunto de rampa |

NOTA: en la figura 1-11, el brazo para tendido de cables está fijado al lado derecho del rack, y el conjunto de rampa del brazo para tendido de cables izquierdo está fijado al lado izquierdo del rack. En cambio, si fija el brazo para tendido de cables al lado izquierdo del rack, debe fijar el conjunto de rampa del brazo para tendido de cables derecho al lado derecho del rack.

Colocación de las puertas del rack

Para colocar las puertas, consulte los procedimientos correspondientes en la documentación suministrada con el rack.

PRECAUCIÓN: debido al tamaño y el peso de las puertas del armario rack, nunca debe intentar montarlas ni desmontarlas una sola persona.

